



HandiSOLUTIONS®

At HandiSOLUTIONS® we are dedicated to simplifying life through cutting-edge storage solutions. From our revolutionary slatwall system, HandiWALL®, to our extensive line of versatile accessories, our one-stop-shop offers everything you will need for easy, customizable storage. Discover the difference and make your space your way.

HandiSOLUTIONS®
Billing Address
1940 Lunt Avenue
Elk Grove Village, IL 60007

Shipping Address
320 County Line Road
Bensenville, IL 60106

info@handisolutions.com
847-640-4732
www.handisolutions.com

Table of Contents

HandiWALL®

HandiWALL®	3-5
HandiSCREWS™	6-7
Handi Color Strips	7
HandiTRIM™	8-9

HandiACCESSORIES™

Baskets	9-11
Garden Accessories	12
Hooks	13-17
Shelves	18-19
Resin Shelves	20-21
Sports	22-25
Storage Bins	26-29
Small Storage Bins	30-31
Tool Storage	32-33
Work Shop	34
Locking Accessory Clip	35
Miscellaneous	36

Handi Tool Rail

Handi Tool Rail	37
-----------------	----

Crystal Series

Crystal Series	38-41
----------------	-------

HandiKITS™

Starter Kits	42
Accessory Kits	43-45

HandiSPACES™ Kits

Framed HandiWALL® Kits	46
Handi Tool Rail Kits	47-49

Information

Ordering Information	50
Warranty	51
Coming Soon!	52

HandiWALL®

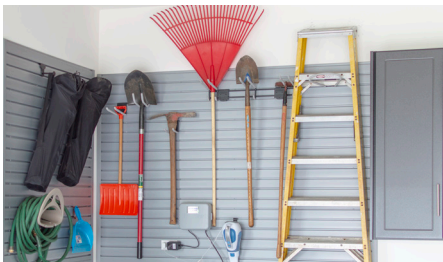


HandiWALL® is our original PVC slatwall designed to make your life easier. Used as a complete wall, or as a complement to your existing storage, HandiWALL® creates a flexible layout that easily adapts to your organizational needs.

HandiWALL® stands out from 100% rigid PVC slatwalls because it is cellular in nature and manufactured with an exclusive, proprietary blend of PVC, adding to its exceptional strength and durability. Unlike MDF slatwalls, which need to be regularly replaced, HandiWALL® is built to last a lifetime.

The revolutionary design of our high-capacity slatwall system offers a seamless blend of durability, functionality, and style, making it a great choice for a wide variety of applications.

HandiWALL® In Action



Garage



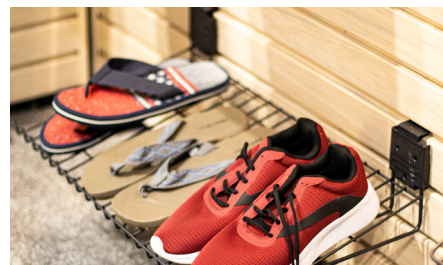
Work Bench



Mudroom



Laundry



Closet



Office



Kids' Room



Retail



& More

HandiWALL®

Flame Retardant!

Quick & Easy Installation!

Over 50 Accessories!

Manufactured in the USA!

Holds 100 lbs Per Sq. Ft!

Lifetime Limited Warranty!

100% Recyclable



Easy To Clean



Water, Moisture, & Mold Resistant



Lightweight & Durable



Scratch Resistant w/ Smooth Satin Finish



Color Coordinated Screws & Trim



MDF vs. PVC Slatwall

MDF

vs.

PVC

- ✗ Prone to mold; water exposure causes it to swell/ warp; difficult to clean, will erode if not well dried
- ✗ Not recyclable due to additives, releases formaldehyde, and contributes to deforestation
- ✗ Susceptible to scratches and dents; minimal load-bearing capacity, will sag and snap under too much weight
- ✗ Not fire resistant, vulnerable to deform under high temperatures
- ✗ Harder to handle and install because MDF is heavier, chips easy, requires additional reinforcements and labor
- ✗ A 4'x8' MDF slatwall weighs between 80-100 lbs, directly leading to hiked shipping costs

Water & Moisture

Sustainability

Durability

Flame Retardancy

Ease of Installation

Shipping Costs

- ✓ Resistant to moisture, water, and mold; easy to clean, can withstand many cleaning chemicals like alcohol
- ✓ PVC can have a product life of 100 years and be recycled up to 6 or 7 times
- ✓ Scratch-resistant; built to last without any signs of deterioration; can hold over double the weight MDF can
- ✓ Flame retardant and highly resistant to combustion, releases less smoke which increases safety
- ✓ Installation is painless because PVC is lightweight, easy to cut, and can be mounted directly to studs
- ✓ A 4'x8' HandiWALL® is 38 lbs (much lighter than MDF) so shipping is made more affordable

HandiWALL®



HandiWALL® meets our ISO Certified manufacturing process and rigorous ISO 9001:2015 quality standards..



HandiWALL® is fire tested by an independent lab (ASTM E84 Test) and ranks Grade A (index of 15) for flame spread..



HandiWALL® is made in the USA, just outside of Chicago, IL.



HandiWALL® Exceptional Quality



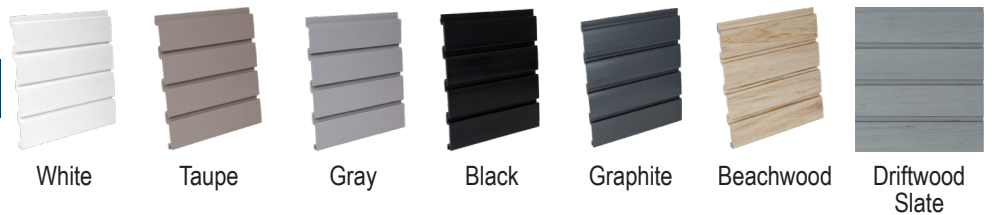
HandiWALL® is the product of 60+ years of research and development in plastic manufacturing. Each panel is designed and manufactured just outside of Chicago, IL.

Every HandiWALL® panel undergoes rigorous quality control checks before, during, and after manufacturing to ensure standards are met for color, length, form, fit, and function. Panels are also tested for consistency in strength, groove connections, and accessory assembly.

HandiWALL® stands out in it's ability to be lightweight yet impressively durable. Each panel is built to last, backed by our Lifetime Limited Warranty.

New!

7 Color Options



4-Foot HandiWALL® (32 Sq. Ft.)

PART #	DESCRIPTION	QTY
HSW1004	12" x 4' - White	8
HSW2004	12" x 4' - Taupe	8
HSW3004	12" x 4' - Gray	8
HSW4004	12" x 4' - Black	8
HSW13004	12" x 4' - Graphite	8
HSW14004	12" x 4' - Beachwood	8
HSW17004	12" x 4' - Driftwood Slate	8

80" HandiWALL® (33.33 Sq. Ft.)

PART #	DESCRIPTION	QTY
HSW1080	12" x 80" - White	5
HSW2080	12" x 80" - Taupe	5
HSW3080	12" x 80" - Gray	5
HSW4080	12" x 80" - Black	5
HSW13080	12" x 80" - Graphite	5
HSW14080	12" x 80" - Beachwood	5
HSW17080	12" x 80" - Driftwood Slate	5

8-Foot HandiWALL® (32 Sq. Ft.)

PART #	DESCRIPTION	QTY
HSW1008	12" x 8' - White	4
HSW2008	12" x 8' - Taupe	4
HSW3008	12" x 8' - Gray	4
HSW4008	12" x 8' - Black	4
HSW13008	12" x 8' - Graphite	4
HSW14008	12" x 8' - Beachwood	4
HSW17008	12" x 8' - Driftwood Slate	4

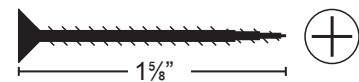


Screws

We offer a variety of steel screws in different colors, sizes and types for all HandiWALL® applications. Select from our drywall screws and flat head Tapcon screws ranging from 1½" up to 2½" inches. We color match the screws to each HandiWALL® color for a seamless overall appearance. Their steel construction ensures a heavy-duty installation.

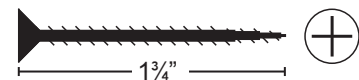
1½" Drywall Screws

PART #	DESCRIPTION	QTY
HSWS100W	Drywall Screw 1½", White	1000
HSWS100TBK	Drywall Screw 1½", White	100
HSWS200T	Drywall Screw 1½", Taupe	1000
HSWS200TBK	Drywall Screw 1½", Taupe	100
HSWS300G	Drywall Screw 1½", Gray	1000
HSWS300TBK	Drywall Screw 1½", Gray	100
HSWS400B	Drywall Screw 1½", Black	1000
HSWS400BTBK	Drywall Screw 1½", Black	100
HSWS1308G	Drywall Screw 1½", Graphite	1000
HSWS1308GTBK	Drywall Screw 1½", Graphite	100
HSWS1400BW	Drywall Screw 1½", Beachwood	1000
HSWS1400BWTBK	Drywall Screw 1½", Beachwood	100
HSWS1700S	Drywall Screw 1½", Driftwood Slate	1000
HSWS1700STBK	Drywall Screw 1½", Driftwood Slate	100



1¾" Tapcon® Screws

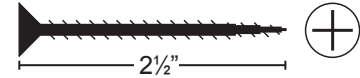
PART #	DESCRIPTION	QTY
HSWS100WTC	Flat Head Tapcon® 3/16" x 1¾", White	1000
HSWS100WTCBK	Flat Head Tapcon® 3/16" x 1¾", White	100
HSWS200TTC	Flat Head Tapcon® 3/16" x 1¾", Taupe	1000
HSWS200TTCBK	Flat Head Tapcon® 3/16" x 1¾", Taupe	100
HSWS300GTC	Flat Head Tapcon® 3/16" x 1¾", Gray	1000
HSWS300GTCBK	Flat Head Tapcon® 3/16" x 1¾", Gray	100
HSWS400BTC	Flat Head Tapcon® 3/16" x 1¾", Black	1000
HSWS400BTCBK	Flat Head Tapcon® 3/16" x 1¾", Black	100
HSWS1308GTC	Flat Head Tapcon® 3/16" x 1¾", Graphite	1000
HSWS1308GTCBK	Flat Head Tapcon® 3/16" x 1¾", Graphite	100
HSWS1400BWTC	Flat Head Tapcon® 3/16" x 1¾", Beachwood	1000
HSWS1400BWTTCBK	Flat Head Tapcon® 3/16" x 1¾", Beachwood	100
HSWS1700DTC	Flat Head Tapcon® 3/16" x 1¾", Driftwood Slate	1000
HSWS1700DTCBK	Flat Head Tapcon® 3/16" x 1¾", Driftwood Slate	100



HandiSCREWS™

2½" Drywall Screws

PART #	DESCRIPTION	QTY
HSWS125W	Drywall Screw 2½", White	1000
HSWS225T	Drywall Screw 2½", Taupe	1000
HSWS325G	Drywall Screw 2½", Gray	1000
HSWS425B	Drywall Screw 2½", Black	1000
HSWS1325G	Drywall Screw 2½", Graphite	1000
HSWS1425BW	Drywall Screw 2½", Beachwood	1000
HSWS1725S	Drywall Screw 2½", Driftwood Slate	1000



Handi Color Strips



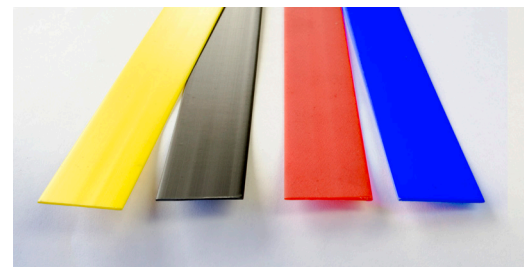
Color Strips

Color strips are a fantastic way to add an appealing accent color to any size section of HandiWALL®. They can also be used to match the color of the HandiWALL®, concealing all screws. Great for retail branding or enhancing the look of any garage or residential space!

Simply remove the adhesive backing and push the color strips into the HandiWALL® grooves. Color strips will not affect installation of accessories.

Handi Color Strips

PART #	DESCRIPTION	QTY
HSCST1008-30	Handi Color Strip, White, 96"	30
HSCST2008-30	Handi Color Strip, Taupe, 96"	30
HSCST3008-30	Handi Color Strip, Gray, 96"	30
HSCST4008-30	Handi Color Strip, Black, 96"	30
HSCST9008-30	Handi Color Strip, Orange, 96"	30
HSCST10008-30	Handi Color Strip, Red, 96"	30
HSCST13008-30	Handi Color Strip, Graphite, 96"	30
HSCST14008-30	Handi Color Strip, Beachwood, 96"	30
HSCST16008-30	Handi Color Strip, Yellow, 96"	30
HSCST17008-30	Handi Color Strip, Driftwood Slate, 96"	30
HSCST20008-30	Handi Color Strip, Blue, 96"	30



Trim Extrusions

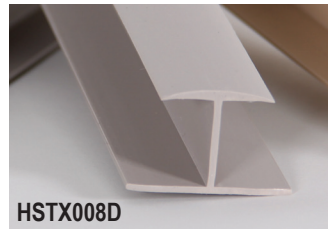
We offer a wide array of extrusions to finish off the HandiWALL® installation.

Parts are made to frame out your wall, eliminate seams and make 90 degree angle connections more cosmetically appealing.

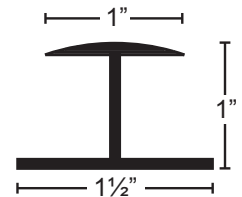
Division Molding

PART #	DESCRIPTION	QTY
HST1096D	Division Molding, White 96"	10
HST2096D	Division Molding, Taupe 96"	10
HST3096D	Division Molding, Gray 96"	10
HST4096D	Division Molding, Black 96"	10
HST13096D	Division Molding, Graphite 96"	10
HST14096D	Division Molding, Beachwood 96"	10
HST17096D	Division Molding, Driftwood Slate 96"	10

Note: For use to hide the seam between two panels.



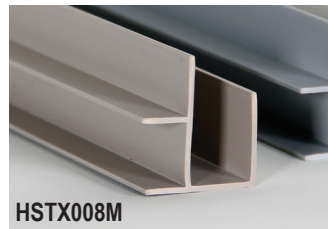
HSTX008D



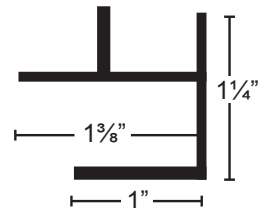
Inside/Outside Corner Molding

PART #	DESCRIPTION	QTY
HST1096M	Inside/Outside Corner Molding, White 96"	6
HST2096M	Inside/Outside Corner Molding, Taupe 96"	6
HST3096M	Inside/Outside Corner Molding, Gray 96"	6
HST4096M	Inside/Outside Corner Molding, Black 96"	6
HST13096M	Inside/Outside Corner Molding, Graphite 96"	6
HST14096M	Inside/Outside Corner Molding, Beachwood 96"	6
HST17096M	Inside/Outside Corner Molding, Driftwood Slate 96"	6

Note: For use to hide the seam in a 90-degree corner.



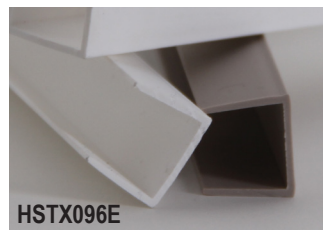
HSTX008M



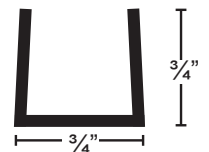
Indented Edge Cap

PART #	DESCRIPTION	QTY
HST1096E	Indented Edge Cap, White 96"	16
HST2096E	Indented Edge Cap, Taupe 96"	16
HST3096E	Indented Edge Cap, Gray 96"	16
HST4096E	Indented Edge Cap, Black 96"	16
HST13096E	Indented Edge Cap, Graphite 96"	16
HST14096E	Indented Edge Cap, Beachwood 96"	16
HST17096E	Indented Edge Cap, Driftwood Slate 96"	16

Note: Indented Edge Cap will not work on the top due to the male end of the HandiWALL®. Best use for trimming around light switches or windows.



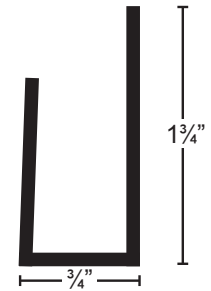
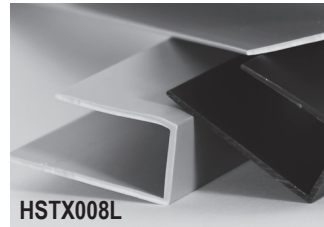
HSTX096E



HandiTRIM™

Large J Molding

PART #	DESCRIPTION	QTY
HST1096L	Large J Molding, White 96"	8
HST2096L	Large J Molding, Taupe 96"	8
HST3096L	Large J Molding, Gray 96"	8
HST4096L	Large J Molding, Black 96"	8
HST13096L	Large J Molding, Graphite, 96"	8
HST14096L	Large J Molding, Beachwood, 96"	8
HST17096L	Large J Molding, Driftwood Slate 96"	8
HST1120L	Large J Molding, White 120"	8
HST2120L	Large J Molding, Taupe 120"	8
HST3120L	Large J Molding, Gray 120"	8
HST4120L	Large J Molding, Black 120"	8



Note: Our most popular trim and recommended for all four outsides of the HandiWALL®.

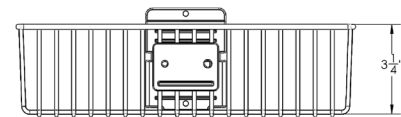
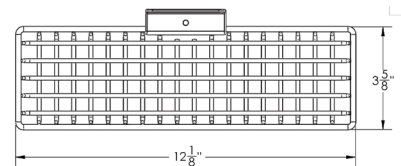
HandiACCESSORIES™



Baskets

Crafted from durable powder coated steel, our baskets seamlessly attach to HandiWALL®, providing a secure and stylish storage solution.

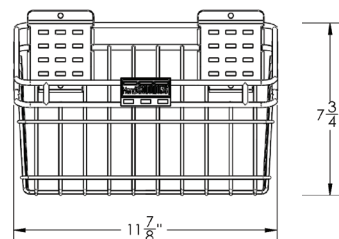
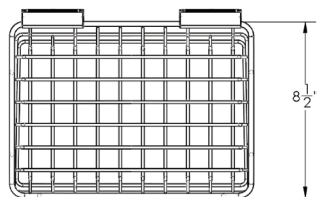
With four different sizes available you can create endless storage configurations tailored to your needs. Weight capacity varies by size.



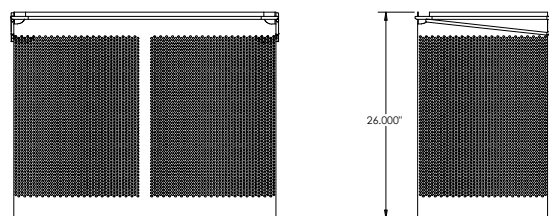
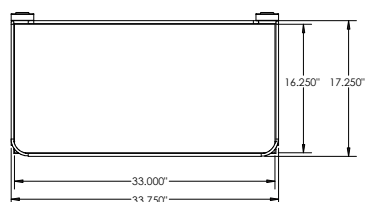
Max Weight Load: 20 lbs.

PART #	DESCRIPTION	Carton Weight	Carton L x W x H	QTY
HSB0312B	3" x 12" Basket	7 lbs.	13" x 12" x 8"	6

HandiACCESSORIES™



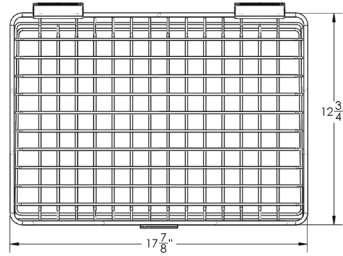
PART #	DESCRIPTION	Carton Weight	Carton L x W x H	QTY
HSB0812B	8" x 12" Basket	12 lbs.	19" x 12" x 9 1/2"	4



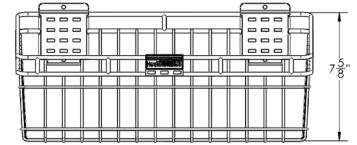
Contents can be easily accessed from the top or the front where the mesh slides open.

PART #	DESCRIPTION	Carton Weight	Carton L x W x H	QTY
HSLSB3426B	Handi Mesh Large Storage Basket, 34" x 26"	20 lbs.	35" x 19" x 5"	1

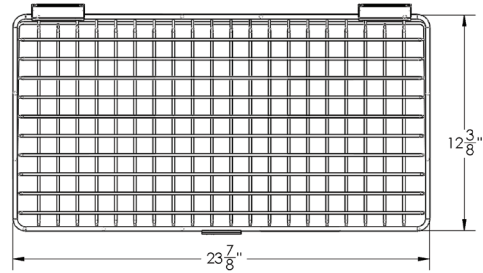
HandiACCESSORIES™



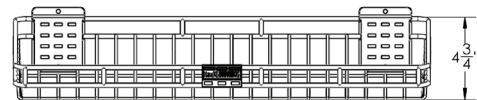
Max Weight Load: 60 lbs.



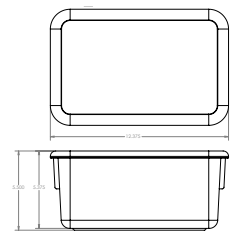
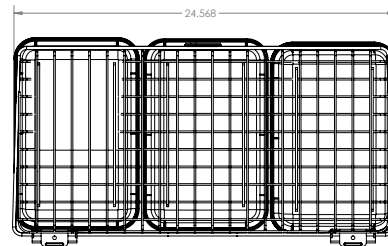
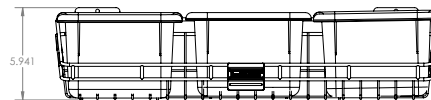
PART #	DESCRIPTION	Carton Weight	Carton L x W x H	QTY
HSB1218B	12" x 18" Basket	18 lbs.	13½" x 19" x 19"	4



Max Weight Load: 60 lbs.



PART #	DESCRIPTION	Carton Weight	Carton L x W x H	QTY
HSB1224B	12" x 24" Basket	18 lbs.	15" x 25" x 12"	4



Max Weight Load: 60 lbs. (shelf)

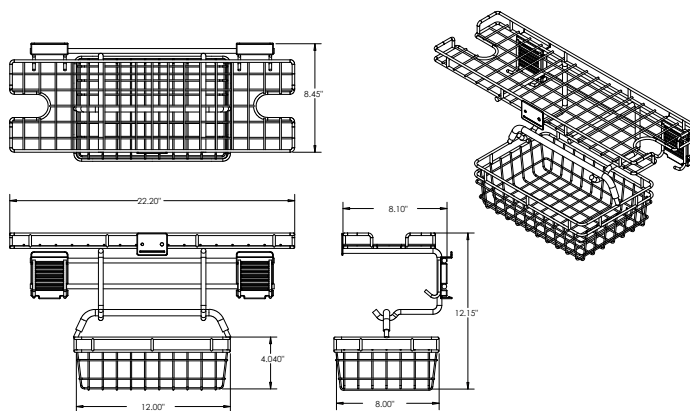
PART #	DESCRIPTION	Carton Weight	Carton L x W x H	QTY
HSBMBK	Handi Basket-Mini Bin Kit	9 lbs.	21" x 14" x 7"	1
HSMB3PK	Mini Bin 3 Pack	6 lbs.	13" x 11" x 14"	3

HandiACCESSORIES™

Gardening

Made of powder coated steel, our Garden Center accessory serves as the ideal hub for all your gardening essentials. This all-in-one unit includes a shelf, hooks, and a detachable hanging basket, allowing you to easily transport your tools wherever you need them.

The Wall Mount Hose Holder accommodates up to 150 feet of a 5/8" hose and comes fully assembled for convenience. It's enclosed storage compartment provides a secure, designated space for additional gardening tools and watering accessories.



PART #	DESCRIPTION	Carton Weight	Carton L x W x H	QTY
HSGCNL	Garden Center	36 lbs.	24" x 23" x 19"	4



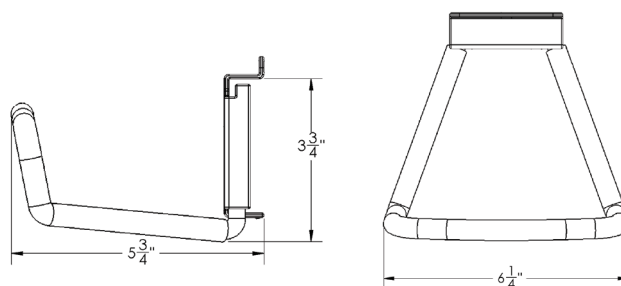
HandiACCESSORIES™

Hooks



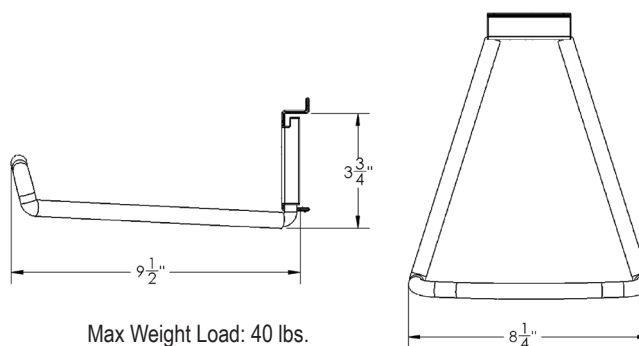
Our heavy-duty steel hooks and brackets are expertly designed for maximum strength and easy mounting onto the HandiWALL®. With durable wire construction and a rust-resistant, powder-coated finish, they're built to securely hold long-handled tools, cords, ladders, bicycles, and more.

The updated locking system automatically engages during installation, locking the hook firmly in place, and can be easily released by pressing the spring-loaded lock. Additionally, all soft vinyl accessories are now color-matched to the graphite brackets for a sleek, cohesive look. The rubber-coated design ensures a secure grip and long-lasting performance, providing superior protection against corrosion.



Max Weight Load: 30 lbs.

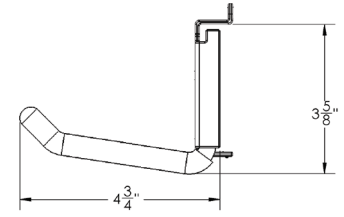
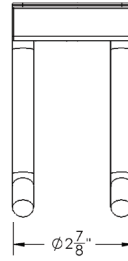
PART #	DESCRIPTION	Carton Weight	Carton L x W x H	QTY
HS04LBWL	4" Loop Hook, with lock	6 lbs.	15" x 6 1/2" x 5"	6



Max Weight Load: 40 lbs.

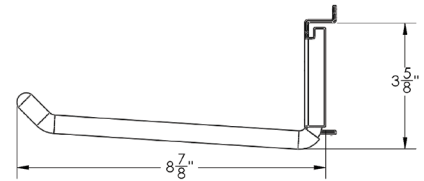
PART #	DESCRIPTION	Carton Weight	Carton L x W x H	QTY
HS08LBWL	8" Loop Hook, with lock	10 lbs.	19 1/2" x 10 1/2" x 5"	6

HandiACCESSORIES™



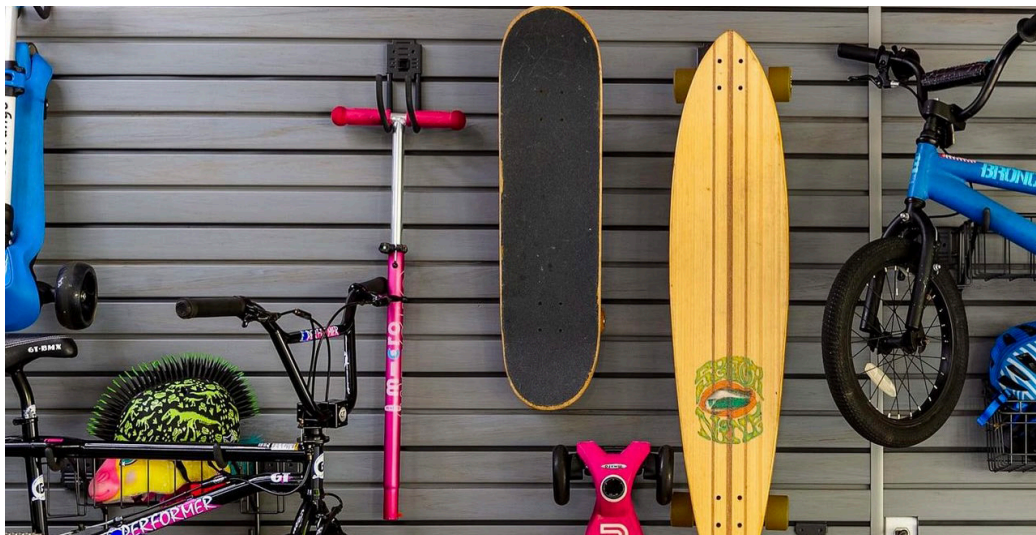
Max Weight Load: 40 lbs.

PART #	DESCRIPTION	Carton Weight	Carton L x W x H	QTY
HSH04DBWL	4" Double Hook, with lock	5 lbs.	6½" x 5½" x 6½"	6

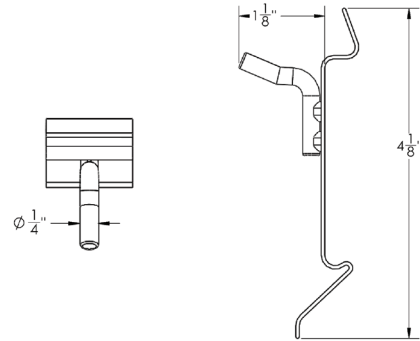


Max Weight Load: 50 lbs.

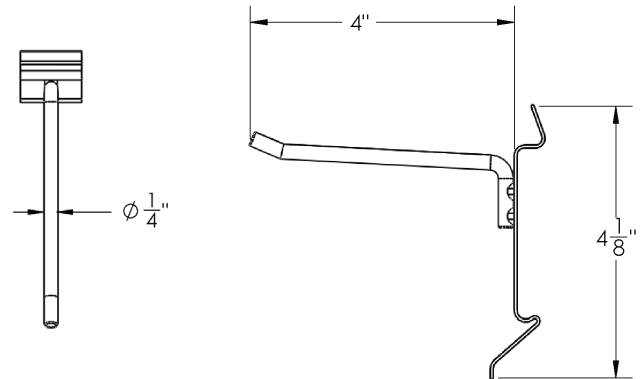
PART #	DESCRIPTION	Carton Weight	Carton L x W x H	QTY
HSH08DBWL	8" Double Hook, with lock	8 lbs.	12" x 4" x 8½"	6



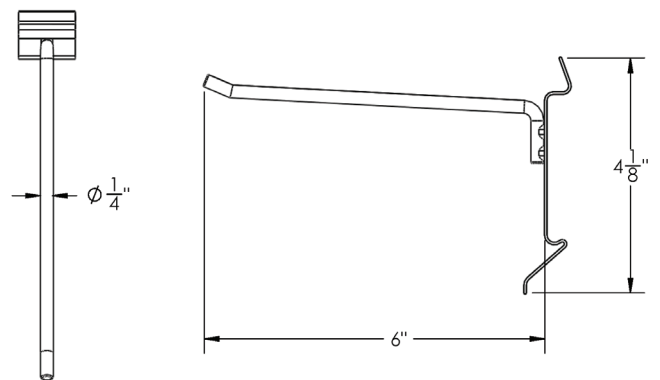
HandiACCESSORIES™



PART #	DESCRIPTION	Carton Weight	Carton L x W x H	QTY
HSH01SH	1" Snap Hook	8½ lbs.	15½" x 5½" x 6½"	100

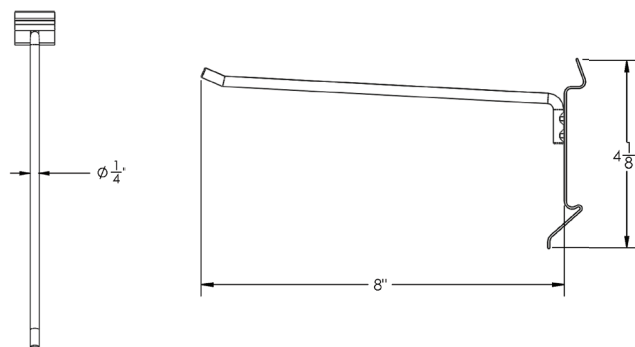


PART #	DESCRIPTION	Carton Weight	Carton L x W x H	QTY
HSH04SH	4" Snap Hook	11 lbs.	16" x 8" x 7"	100

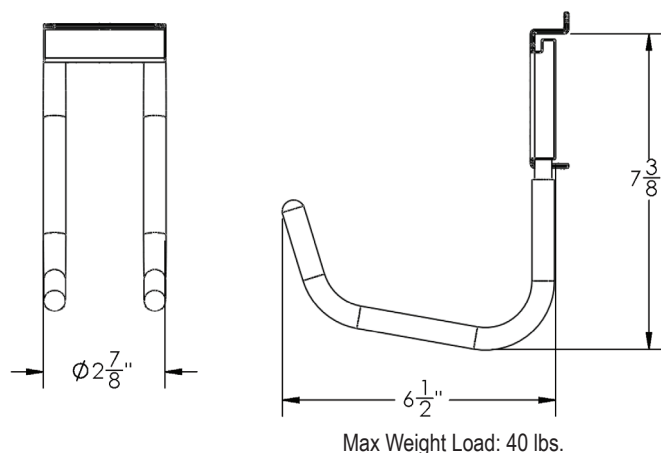


PART #	DESCRIPTION	Carton Weight	Carton L x W x H	QTY
HSH06SH	6" Snap Hook	13 lbs.	16" x 9½" x 7"	100

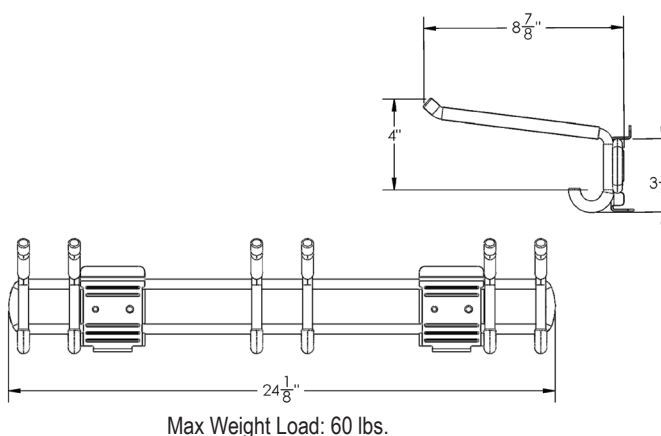
HandiACCESSORIES™



PART #	DESCRIPTION	Carton Weight	Carton L x W x H	QTY
HS08SH	8" Snap Hook	15 lbs.	15 3/4" x 11" x 6 1/2"	100

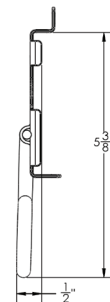
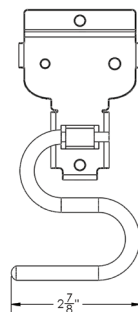


PART #	DESCRIPTION	Carton Weight	Carton L x W x H	QTY
HS06JBWL	6" J Hook, with lock	9 lbs.	9" x 4" x 13"	6

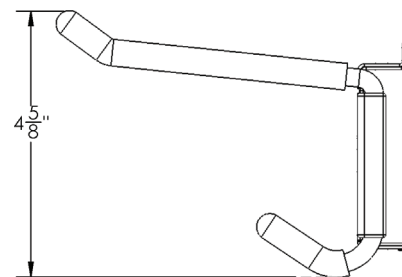
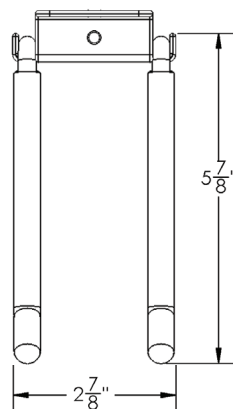


PART #	DESCRIPTION	Carton Weight	Carton L x W x H	QTY
HS03SBWL	24" Long Tool Bar, with lock	30 lbs.	25 1/2" x 7" x 14 1/2"	6

HandiACCESSORIES™

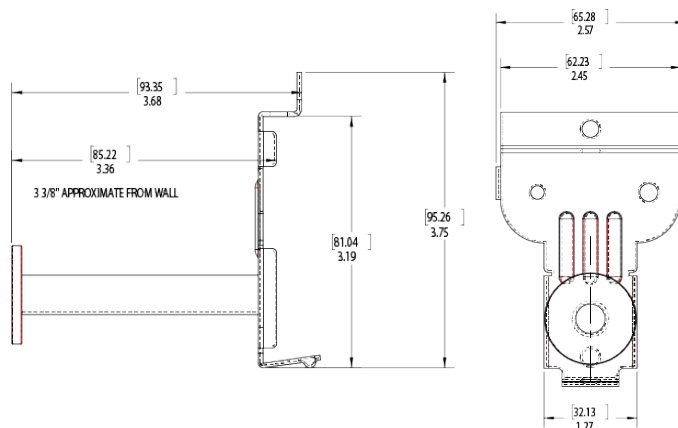


PART #	DESCRIPTION	Carton Weight	Carton L x W x H	QTY
HSSHKBNL	S Hook	1 lbs.	4" x 6" x 4"	6



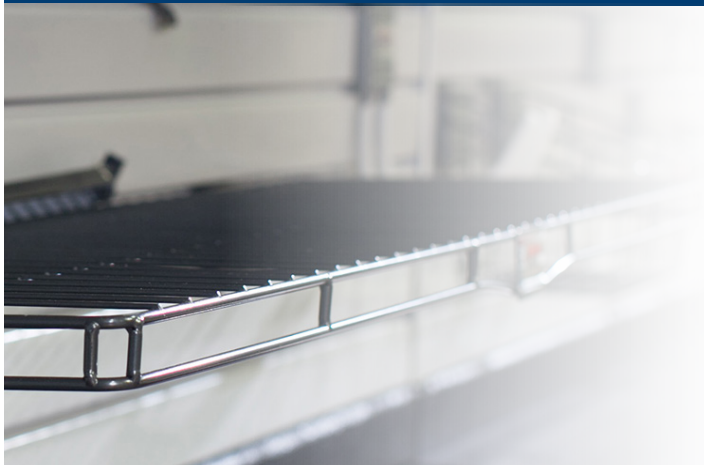
Max Weight Load: 40 lbs.

PART #	DESCRIPTION	Carton Weight	Carton L x W x H	QTY
HSDUHBWL	Double Utility Hook, with lock	5 lbs.	12" x 6 1/2" x 6 1/2"	6



PART #	DESCRIPTION	Carton Weight	Carton L x W x H	QTY
HSHGHPK	Garment Hook, 10 Pack	2 lbs.	12" x 8" x 5"	10
HSHGH	Garment Hook, 60 Pack	9 lbs.	9 1/2" x 9 1/2" x 5"	60

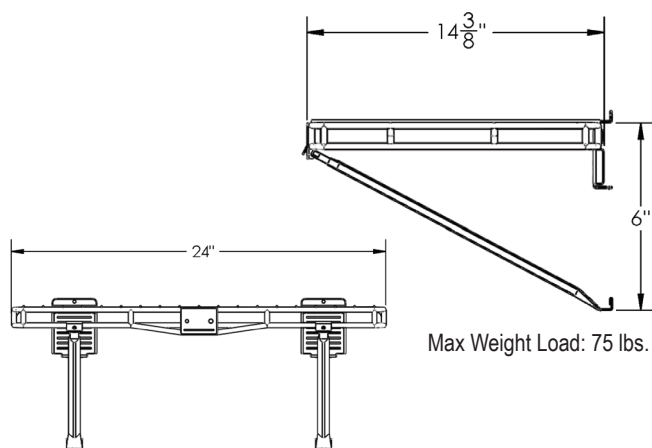
HandiACCESSORIES™



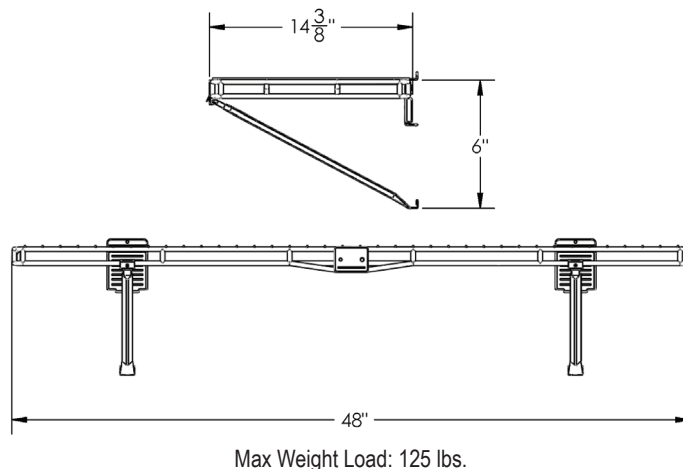
Shelves

Optimize your organizational layout and clear floor space with durable, wire shelving. Our shelves come in three sizes and support a weight capacity of 75 to 125 lbs.

Made with a rust-resistant powder-coated finish, these shelves combine strength and functionality to elevate your storage experience with style.

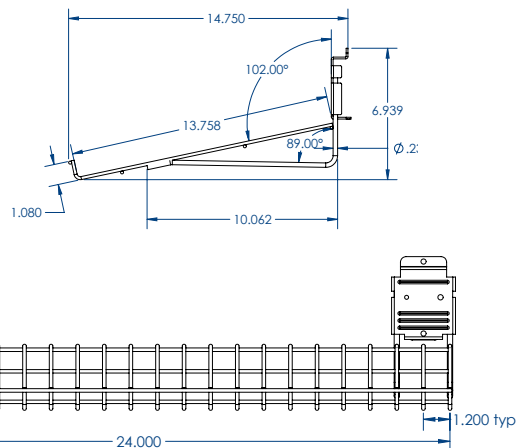


PART #	DESCRIPTION	Carton Weight	Carton L x W x H	QTY
HSS1424B	14" x 24" Shelf	29 lbs.	25" x 17" x 11½"	6

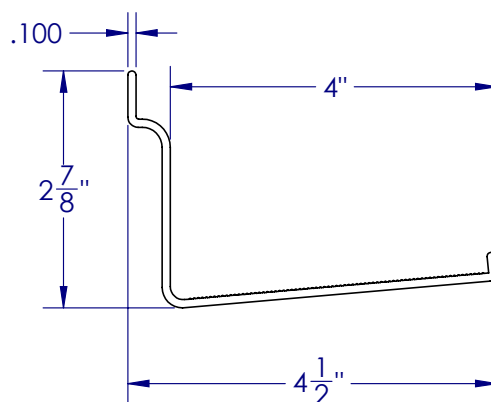


PART #	DESCRIPTION	Carton Weight	Carton L x W x H	QTY
HSS1448B	14" x 48" Shelf	53 lbs.	49" x 17" x 12"	6

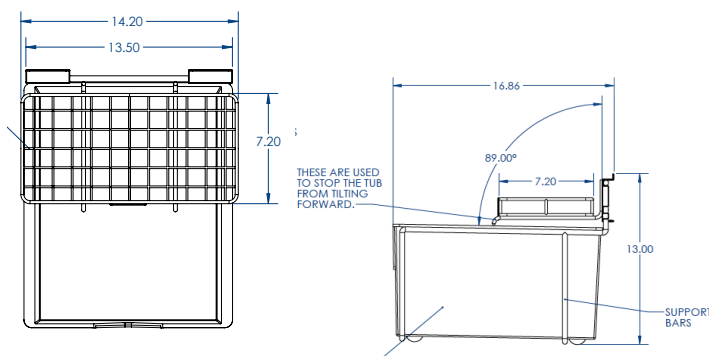
HandiACCESSORIES™



PART #	DESCRIPTION	Carton Weight	Carton L x W x H	QTY
HSS2414G	14" x 24" Shoe Rack	21 lbs.	26" x 16" x 8"	6



PART #	DESCRIPTION	Carton Weight	Carton L x W x H	QTY
HSUS496B	4" Utility Shelf, 96", Black	25 lbs.	99" x 6" x 6"	6
HSUS496G	4" Utility Shelf, 96", Gray	25 lbs.	99" x 6" x 6"	6



PART #	DESCRIPTION	Carton Weight	Carton L x W x H	QTY
HSS1407TUB-KIT	14" x 7" HandiTUB, with removable tub	28 lbs.	33½" x 16¾" x 15"	1

HandiACCESSORIES™



Resin Shelves

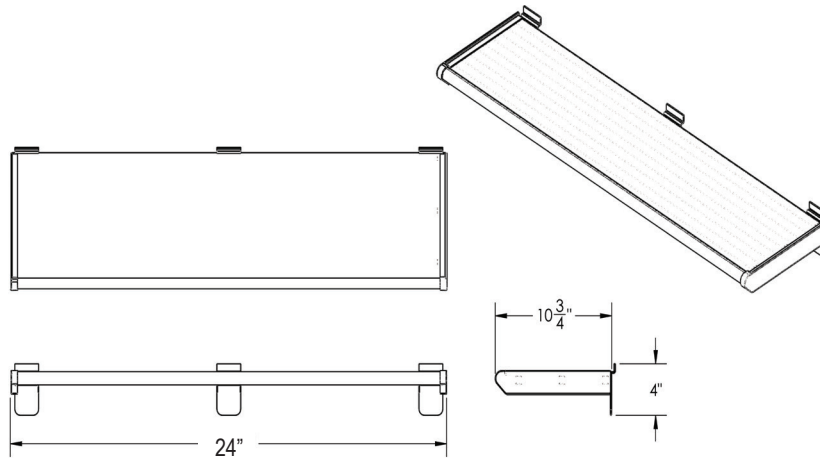
Our industrial-strength thermoplastic resin shelves are available in standard lengths of 24" and 40", with custom sizes available upon request. Resin shelves are designed to have soft, rounded edges and consistent coloring throughout the material.

Each shelf and their end caps are perfectly color-matched to the corresponding chosen HandiWALL®. Our resin shelves offer a fastener-free installation for a clean, more refined look. For secure mounting, heavy-duty brackets are included.

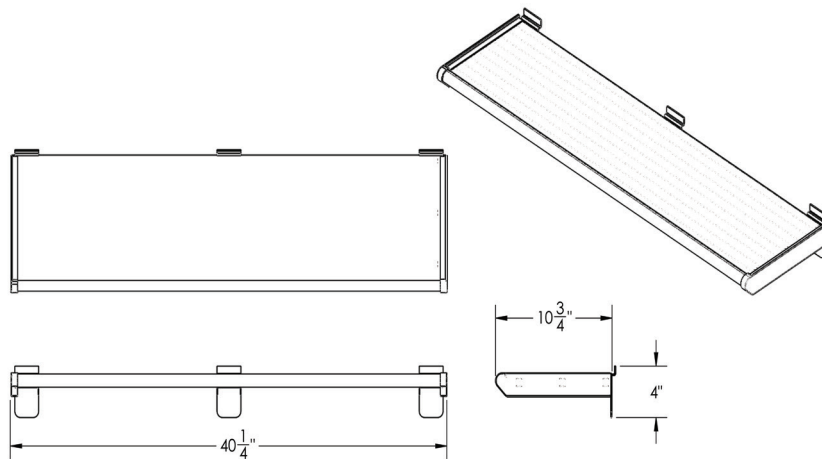


PART #	DESCRIPTION	Carton Weight	Carton L x W x H	QTY
HSRSK24BW	Resin Shelf Kit, 24", White	5 lbs.	32" x 12" x 4"	1
HSRSK24G	Resin Shelf Kit, 24", Gray	5 lbs.	32" x 12" x 4"	1
HSRSK24T	Resin Shelf Kit, 24", Taupe	5 lbs.	32" x 12" x 4"	1
HSRSK24B	Resin Shelf Kit, 24", Black	5 lbs.	32" x 12" x 4"	1
HSRSK24GR	Resin Shelf Kit, 24", Graphite	5 lbs.	32" x 12" x 4"	1
HSRSK24BE	Resin Shelf Kit, 24", Beachwood	5 lbs.	32" x 12" x 4"	1
HSRSK40BW	Resin Shelf Kit, 40", White	7 lbs.	50" x 12" x 4"	1
HSRSK40G	Resin Shelf Kit, 40", Gray	7 lbs.	50" x 12" x 4"	1
HSRSK40T	Resin Shelf Kit, 40", Taupe	7 lbs.	50" x 12" x 4"	1
HSRSK40B	Resin Shelf Kit, 40", Black	7 lbs.	50" x 12" x 4"	1
HSRSK40GR	Resin Shelf Kit, 40", Graphite	7 lbs.	50" x 12" x 4"	1
HSRSK40BE	Resin Shelf Kit, 40", Beachwood	7 lbs.	50" x 12" x 4"	1

HandiACCESSORIES™



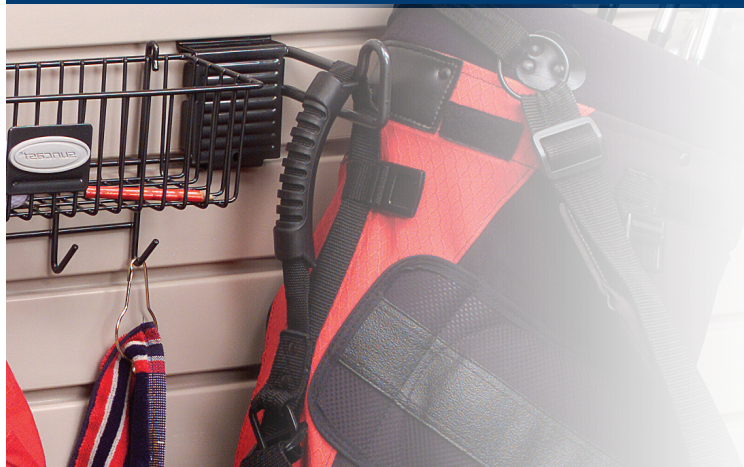
PART #	DESCRIPTION	Carton Weight	Carton L x W x H	QTY
HSRSK24XX	Resin Shelf Kit, 24"	5 lbs.	32" x 12" x 4"	1



PART #	DESCRIPTION	Carton Weight	Carton L x W x H	QTY
HSRSK40XX	Resin Shelf Kit, 40"	7 lbs.	50" x 12" x 4"	1

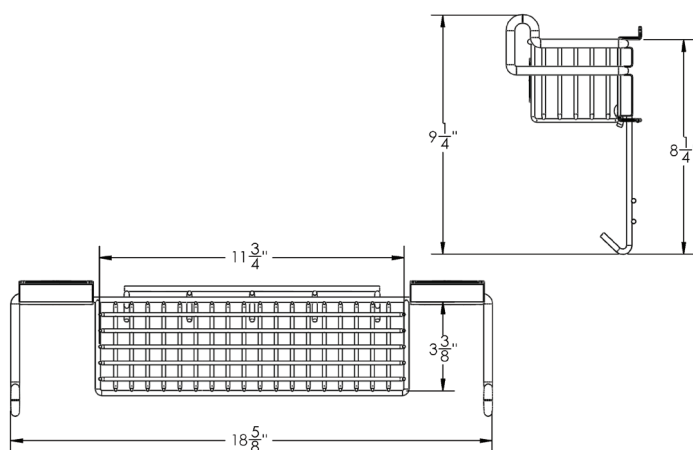


HandiACCESSORIES™

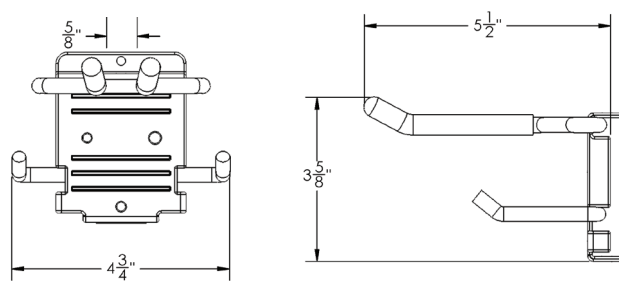


Sports

From balls and rackets, to bikes, skis, and more; nothing is left out from this versatile accessory collection! These sports accessories offer a convenient storage solution for everyone in the home, keeping valuable equipment protected and organized. These accessories are specially made for storing a wide range of sports-related items, maximizing your space, and fostering a clutter-free environment.

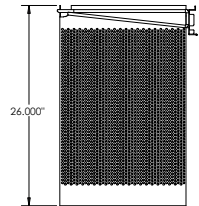
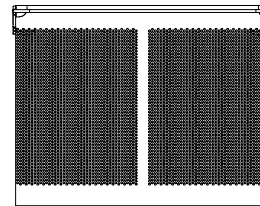
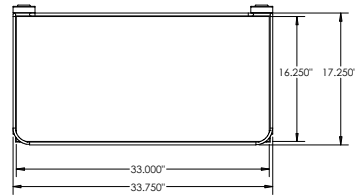


PART #	DESCRIPTION	Carton Weight	Carton L x W x H	QTY
HSGAHB	Golf Accessory Holder	20 lbs.	20" x 11" x 18½"	6

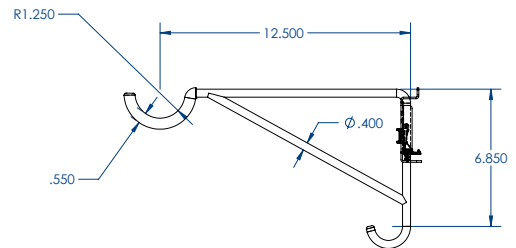


PART #	DESCRIPTION	Carton Weight	Carton L x W x H	QTY
HSSRHWL	Ski Rack, with lock	5½ lbs.	11¼" x 5½" x 5"	6

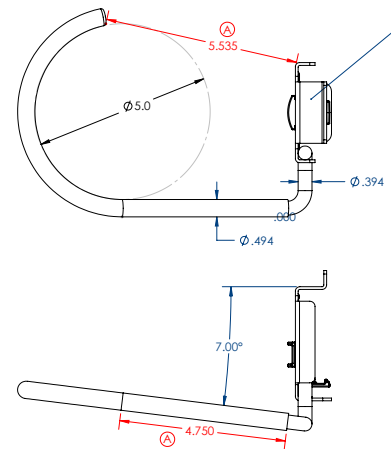
HandiACCESSORIES™



PART #	DESCRIPTION	Carton Weight	Carton L x W x H	QTY
HSLSB3426B	Handi Mesh Large Storage Basket, 34" x 26"	20 lbs.	35" x 19" x 5"	1

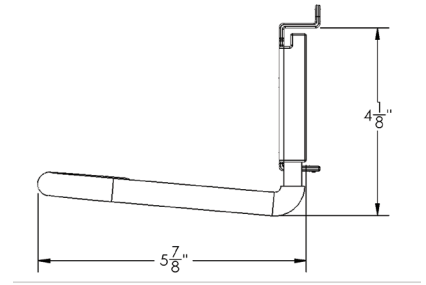
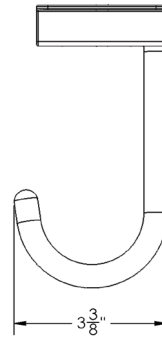


PART #	DESCRIPTION	Carton Weight	Carton L x W x H	QTY
HSHBHWL	Horizontal Bike Hooks, pair, with lock	21 lbs.	20" x 17" x 10"	6

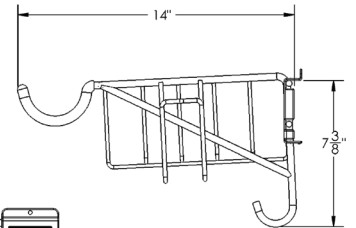
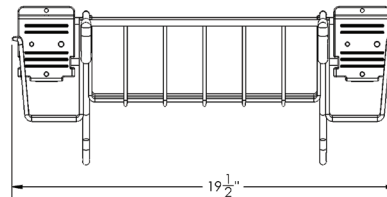


PART #	DESCRIPTION	Carton Weight	Carton L x W x H	QTY
HSHFTBHWL	Fat Tire Bike Hook, with lock	6 lbs.	14" x 8" x 6"	6

HandiACCESSORIES™



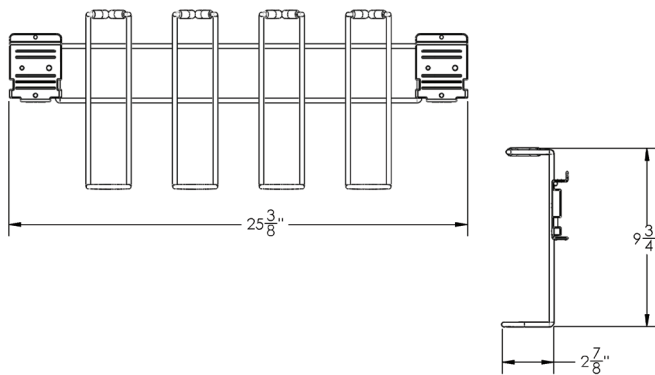
PART #	DESCRIPTION	Carton Weight	Carton L x W x H	QTY
HSH05BWL	5" Bike Hook, with lock	9 lbs.	12" x 6" x 4"	6



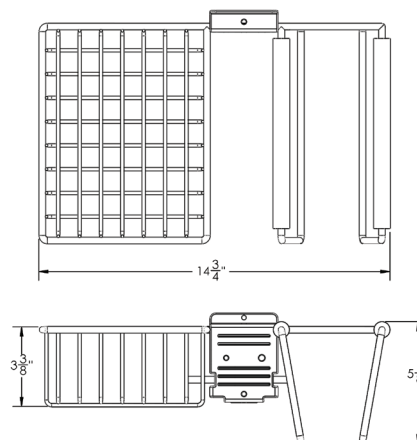
PART #	DESCRIPTION	Carton Weight	Carton L x W x H	QTY
HSHBRNL	Horizontal Bike Rack	33 1/2 lbs.	31" x 16" x 21"	4



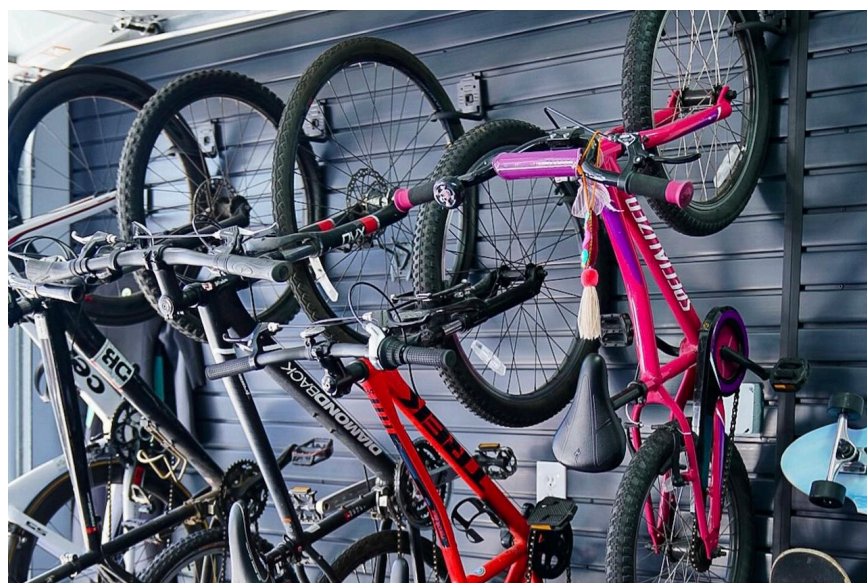
HandiACCESSORIES™



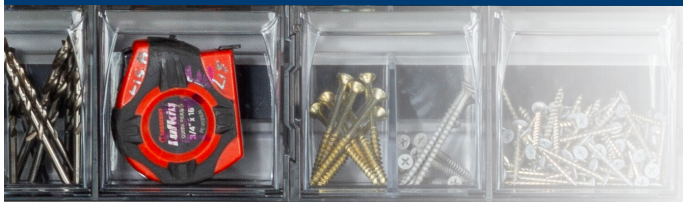
PART #	DESCRIPTION	Carton Weight	Carton L x W x H	QTY
HSFRH	Fishing Rod Holder	16 lbs.	27" x 11" x 11"	6



PART #	DESCRIPTION	Carton Weight	Carton L x W x H	QTY
HSTAH	Tennis Accessory Holder	14 5/8 lbs.	23" x 16" x 11 1/2"	6



HandiACCESSORIES™

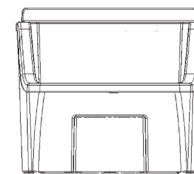
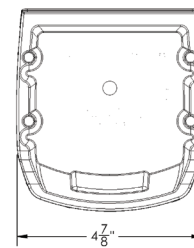
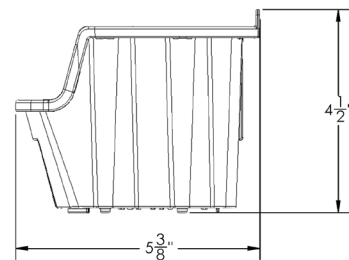


Small Bins

Organize small parts and hardware to decrease lost inventory and save time. Bins attach securely and remove instantly.

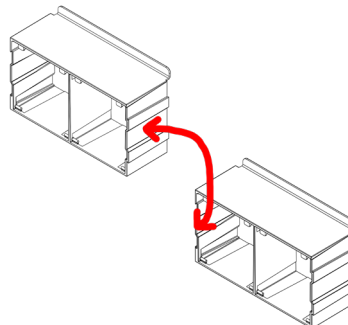
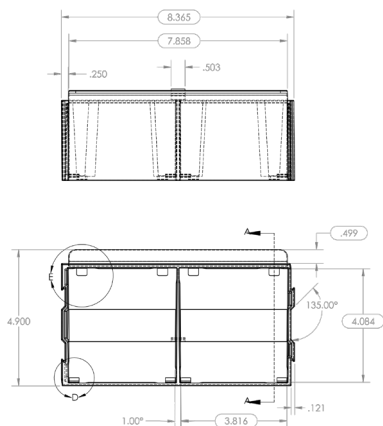
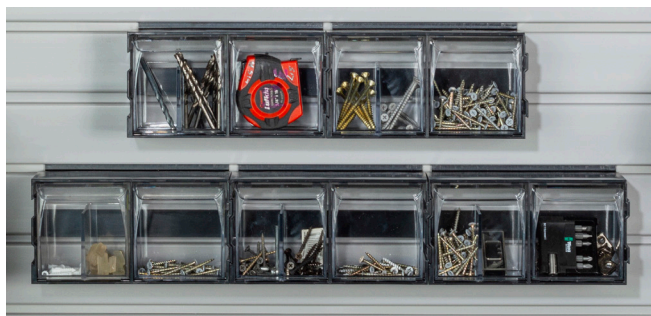
Tilt Bins feature a transparent bin that tips out at a 45-degree angle

Clear bins provide a complete view of your small items.



PART #	DESCRIPTION	Carton Weight	Carton L x W x H	QTY
HSPUB	Plastic Utility Bin, Taupe	3 lbs.	11½" x 11" x 11½"	12
HSPUBG	Plastic Utility Bin, Gray	3 lbs.	11½" x 11" x 11½"	12
HSPUBB	Plastic Utility Bin, Black	3 lbs.	11½" x 11" x 11½"	12
HSPUBBW	Plastic Utility Bin, Beachwood	3 lbs.	11½" x 11" x 11½"	12

HandiACCESSORIES™



Handi Link Up Bins connect and link up together so you can combine as many housings as you would like!

PART #	DESCRIPTION	Carton Weight	Carton L x W x H	QTY
HSTB023	Handi Link Up Tilt Bin, Gray	6 lbs.	13" x 11" x 14"	4
HSTB024	Handi Link Up Tilt Bin, Black	6 lbs.	13" x 11" x 14"	4
HSTB0213	Handi Link Up Tilt Bin, Graphite	6 lbs.	13" x 11" x 14"	4
HSTB0214	Handi Link Up Tilt Bin, Beachwood	6 lbs.	13" x 11" x 14"	4

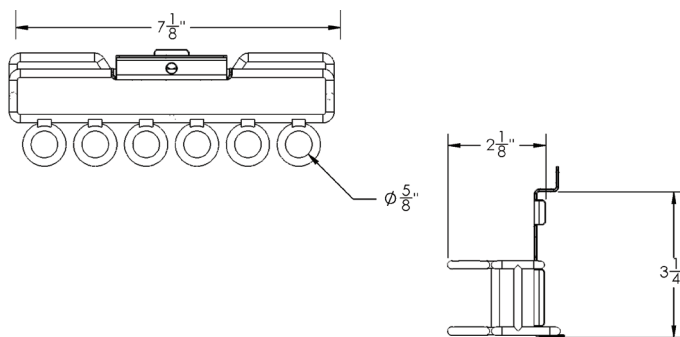
Each housing contains two tilt bins - one with a divider and one without. Housings can be combined together to make a larger organization space.

HandiACCESSORIES™

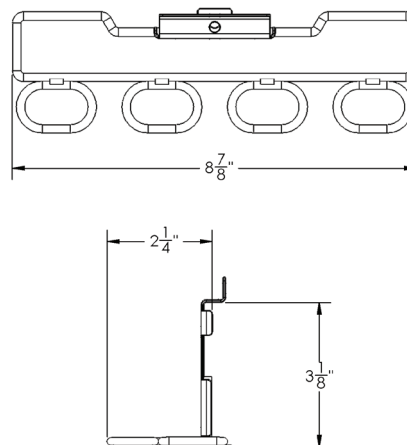


Tool Storage

Our tool storage accessories work to improve your efficiency in the workshop by keeping all your tools organized, easy-to-access, and protected from damage. With their versatility, durability, and ease of use, these accessories are a must-have for optimal tool storage.



PART #	DESCRIPTION	Carton Weight	Carton L x W x H	QTY
HSSDHB	Screwdriver Rack	6 lbs.	9 1/2" x 7 1/2" x 6"	6



PART #	DESCRIPTION	Carton Weight	Carton L x W x H	QTY
HSSTRB	Small Tool Rack	2 lbs.	9 1/2" x 7 1/2" x 6 1/2"	6

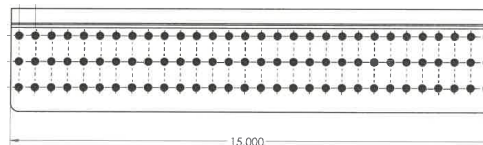
HandiACCESSORIES™



The Magnetic ToolPAD comes with six (6) Magnetic Pockets and six (6) Screwdriver Pockets to hang various tools, as well as two (2) Twist Locks to secure the ToolPAD in place on the HandiWALL®.

Fits directly onto HandiWALL® without any hardware necessary.

ToolPADs come individually packaged into master cartons of 10, and are color matched to the colors of HandiWALL®.



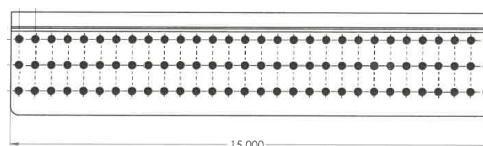
PART #	DESCRIPTION	Carton Weight	Carton L x W x H	QTY
HSMTTP15100	15" Magnetic ToolPAD, White, with pockets and locks	8 lbs.	13½" x 8½" x 16¼"	10
HSMTTP15200	15" Magnetic ToolPAD, Taupe, with pockets and locks	8 lbs.	13½" x 8½" x 16¼"	10
HSMTTP15300	15" Magnetic ToolPAD, Gray, with pockets and locks	8 lbs.	13½" x 8½" x 16¼"	10
HSMTTP15400	15" Magnetic ToolPAD, Black, with pockets and locks	8 lbs.	13½" x 8½" x 16¼"	10
HSMTTP15130	15" Magnetic ToolPAD, Graphite, with pockets and locks	8 lbs.	13½" x 8½" x 16¼"	10
HSMTTP15140	15" Magnetic ToolPAD, Beachwood, with pockets and locks	8 lbs.	13½" x 8½" x 16¼"	10
HSMTMPMPK	Magnetic Pocket Kit, 6 pack	1 lbs.	4½" x 4½" x 4¼"	1
HSMTTPSDPC	Screwdriver Pocket Kit, 6 pack	1 lbs.	4½" x 4½" x 4¼"	1



The Screwdriver ToolPAD comes with ten (10) Screwdriver Pockets and two (2) Twist Locks to secure the ToolPAD in place on the HandiWALL®.

Fits directly onto HandiWALL® without any hardware necessary.

ToolPADs come individually packaged into master cartons of 10.



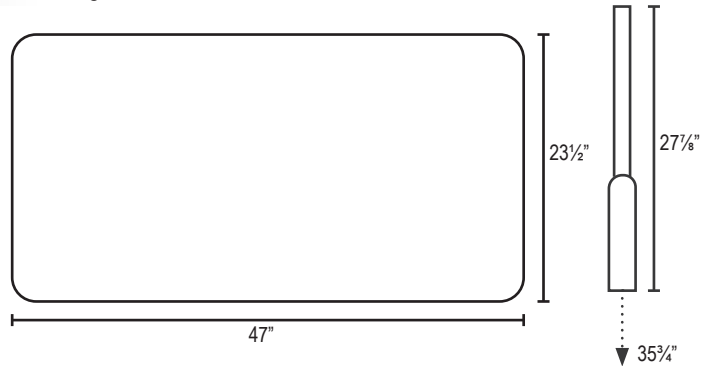
PART #	DESCRIPTION	Carton Weight	Carton L x W x H	QTY
HSSTP15300	15" Screwdriver ToolPAD, Gray, with pockets and locks	8 lbs.	13½" x 8½" x 16¼"	10
HSSTP15400	15" Screwdriver ToolPAD, Black, with pockets and locks	8 lbs.	13½" x 8½" x 16¼"	10
HSSTP151300	15" Screwdriver ToolPAD, Graphite, with pockets and locks	8 lbs.	13½" x 8½" x 16¼"	10
HSSTP151400	15" Screwdriver ToolPAD, Beachwood, with pockets and locks	8 lbs.	13½" x 8½" x 16¼"	10

HandiACCESSORIES™

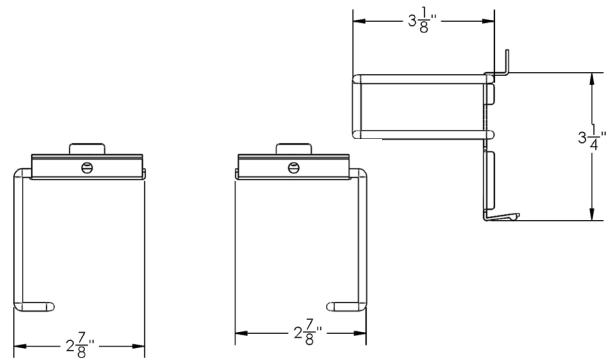
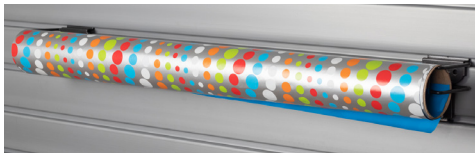
Work Shop

Customize your work area with this heavy-duty work bench top designed to provide a work surface for all of your projects. It is made from a heavy duty Thermofoil, a highly scratch/dent resistant material.

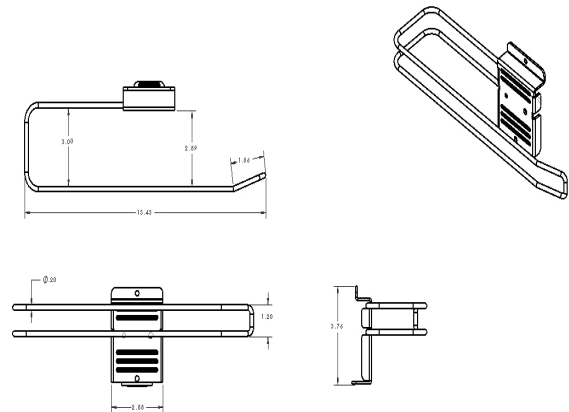
Offered alongside our work bench top, the leg kit features two (2) high quality folding legs with adjuster, hinges, HandiWALL® brackets, and mounting hardware.



PART #	DESCRIPTION	Carton Weight	Carton L x W x H	QTY
HSTT48	48" Work Bench Top	36 lbs.	55" x 24" x 2"	1
HSTT1000	Attachment Leg Kit, 2 Legs	27 lbs.	9" x 5 1/2" x 6 1/2"	1



PART #	DESCRIPTION	Carton Weight	Carton L x W x H	QTY
HSMPRH	Multi-Purpose Roll Holder	3 lbs.	8 1/2" x 7" x 5"	6



PART #	DESCRIPTION	Carton Weight	Carton L x W x H	QTY
HSPTH	Paper Towel Holder	6 lbs.	14" x 9" x 5"	6

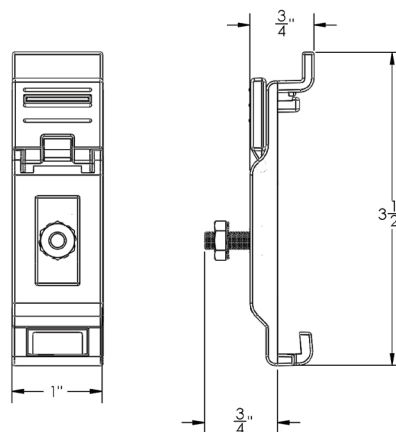
HandiACCESSORIES™



Locking Accessory Clip

The locking accessory clip is designed to hang items such as tilt bins, magnetic tool holders, sports rack, hose holders, and other products not made to fit on the HandiWALL® panels.

Packed with two clips, two nuts, and two screws.



PART #	DESCRIPTION	Carton Weight	Carton L x W x H	QTY
HSHN3PAC	Locking Accessory Clip, Black	3 lbs.	9½" x 9½" x 9"	25

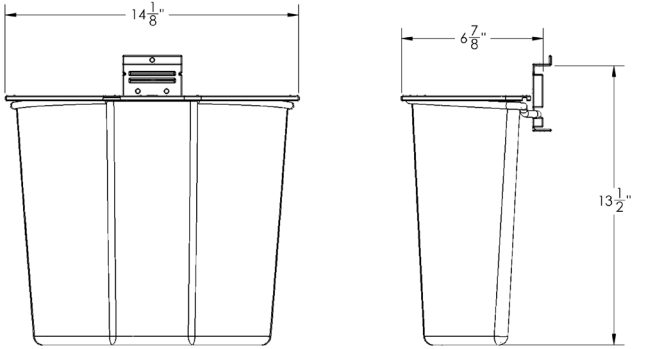


PART #	DESCRIPTION	Carton Weight	Carton L x W x H	QTY
HSSRB	Light Duty Accessory Clip	11 lbs.	10" x 6" x 4"	100

Miscellaneous

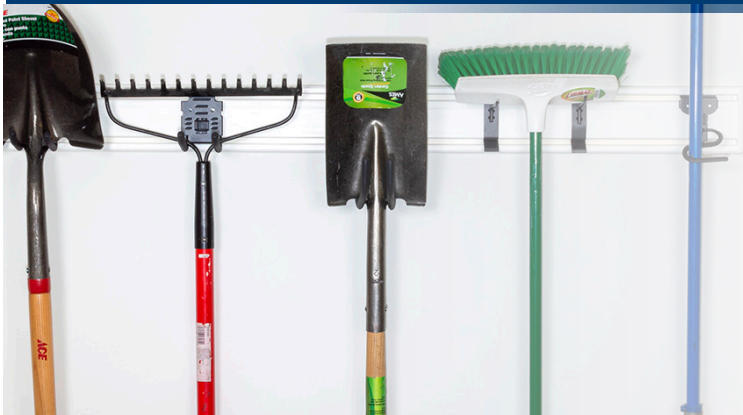


PART #	DESCRIPTION	Carton Weight	Carton L x W x H	QTY
HSNP-XXX	Custom Nameplate Allow 3-4 weeks delivery time	6 lbs.	13" x 11" x 13"	1000



PART #	DESCRIPTION	Carton Weight	Carton L x W x H	QTY
HSHB	HandiBin, Smoke	3 lbs.	13" x 11" x 14"	1

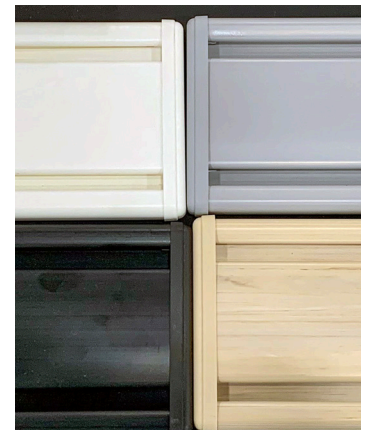
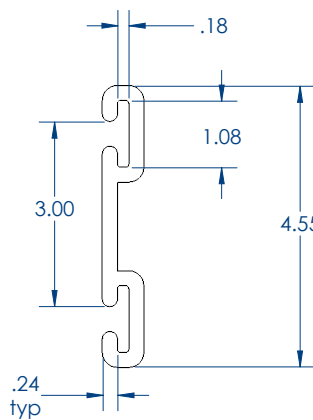
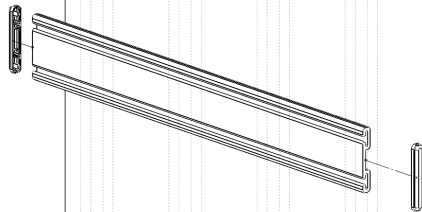
Handi Tool Rail



Handi Tool Rail

The Handi Tool Rail is a new product designed and manufactured by HandiSOLUTIONS®. Made of the same cellular PVC material, the Handi Tool Rail provides all of the benefits of HandiWALL® while allowing a much smaller footprint to be used.

Perfect areas in the home such as closets, pantries, home offices, craft rooms, basements, mudrooms, laundry rooms, and more! Each individual carton comes with the End Caps, color-matched screws, and Color Strips for installation.

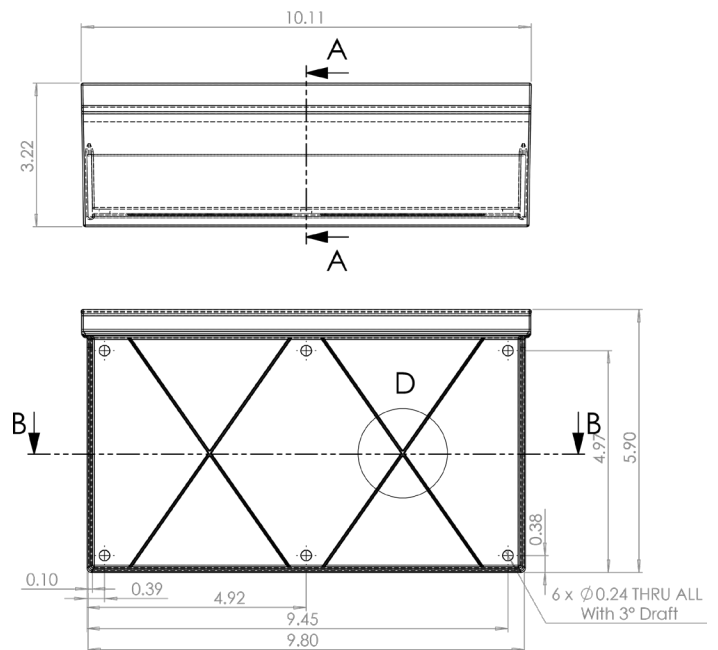


PART #	DESCRIPTION	Carton Weight	Carton L x W x H	QTY
HSWTR150-IND	Handi Tool Rail, 50", White, Individual Pack	3 lbs.	52" x 5" x 2"	1
HSWTR182-IND	Handi Tool Rail, 82", White, Individual Pack	5 lbs.	84" x 5" x 2"	1
HSWTR198-IND	Handi Tool Rail, 98", White, Individual Pack	7 lbs.	98" x 5" x 2"	1
HSWTR198	Handi Tool Rail, 98", White, Bulk Pack	35 lbs.	102" x 6" x 6"	8
HSWTREC1	Handi Tool Rail End Cap, White	2 lbs.	9" x 7" x 5"	50
HSWTR350-IND	Handi Tool Rail, 50", Gray, Individual Pack	3 lbs.	52" x 5" x 2"	1
HSWTR382-IND	Handi Tool Rail, 82", Gray, Individual Pack	5 lbs.	84" x 5" x 2"	1
HSWTR398-IND	Handi Tool Rail, 98", Gray, Individual Pack	7 lbs.	98" x 5" x 2"	1
HSWTR398	Handi Tool Rail, 98", Gray, Bulk Pack	35 lbs.	102" x 6" x 6"	8
HSWTREC3	Handi Tool Rail End Cap, Gray	2 lbs.	9" x 7" x 5"	50
HSWTR450-IND	Handi Tool Rail, 50", Black, Individual Pack	3 lbs.	52" x 5" x 2"	1
HSWTR482-IND	Handi Tool Rail, 82", Black, Individual Pack	5 lbs.	84" x 5" x 2"	1
HSWTR498-IND	Handi Tool Rail, 98", Black, Individual Pack	7 lbs.	98" x 5" x 2"	1
HSWTR498	Handi Tool Rail, 98", Black, Bulk Pack	35 lbs.	102" x 6" x 6"	8
HSWTREC4	Handi Tool Rail End Cap, Black	2 lbs.	9" x 7" x 5"	50
HSWTR1450-IND	Handi Tool Rail, 50", Beachwood, Individual Pack	3 lbs.	52" x 5" x 2"	1
HSWTR1482-IND	Handi Tool Rail, 82", Beachwood, Individual Pack	5 lbs.	84" x 5" x 2"	1
HSWTR1498-IND	Handi Tool Rail, 98", Beachwood, Individual Pack	7 lbs.	98" x 5" x 2"	1
HSWTR1498	Handi Tool Rail, 98", Beachwood, Bulk Pack	35 lbs.	102" x 6" x 6"	8
HSWTREC14	Handi Tool Rail End Cap, Beachwood	2 lbs.	9" x 7" x 5"	50

Crystal Series

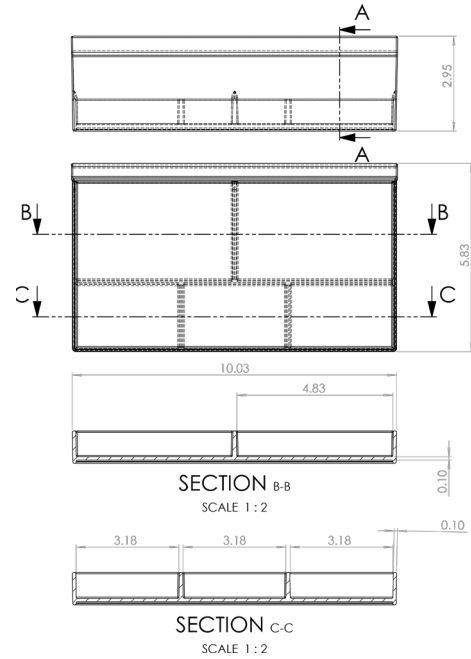
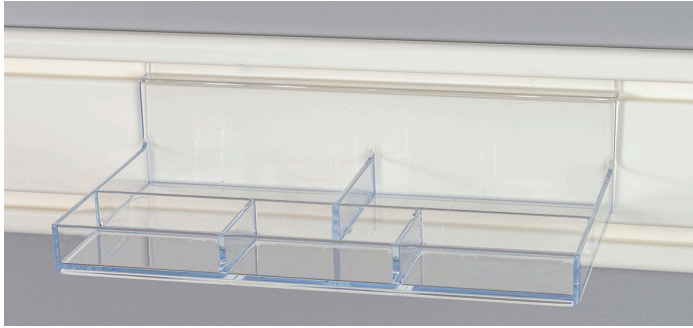
Crystal Series

The Crystal Series is manufactured in the USA and made with strong, crystal clear polycarbonate. This collection is made up of beautiful accessories that are perfect for spaces such as offices, closets, craft rooms, stores, and more. The Crystal Series offers both elegance and durability to enhance the organization and aesthetics of any environment. With their sleek design and versatility, they are a stylish solution for showcasing and organizing your belongings with ease and sophistication.

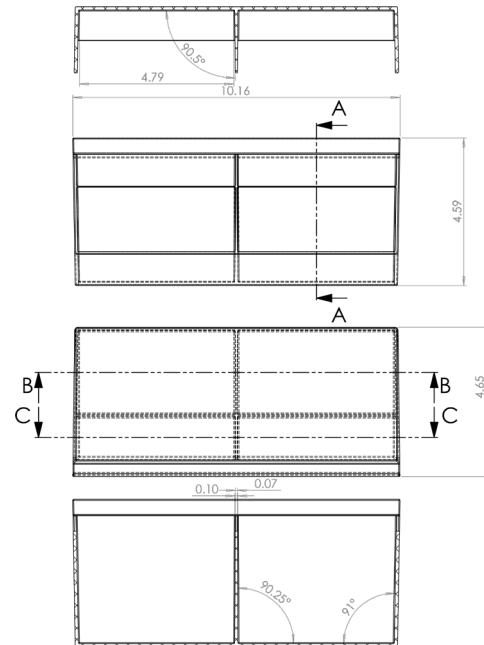
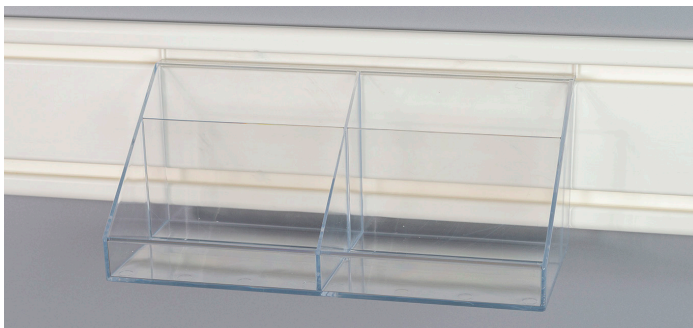


PART #	DESCRIPTION	Carton Weight	Carton L x W x H	QTY
HSCSBAS	Crystal Series, Basket	5 lbs.	12" x 12" x 14"	6

Crystal Series

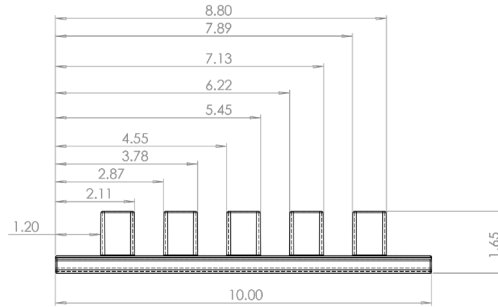
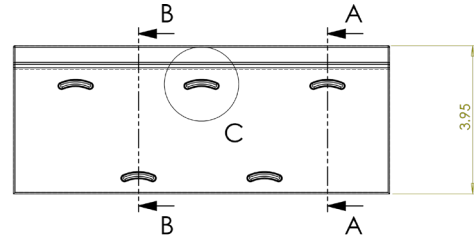


PART #	DESCRIPTION	Carton Weight	Carton L x W x H	QTY
HSCSOT	Crystal Series, Organizer Tray	5 lbs.	12" x 12" x 14"	6

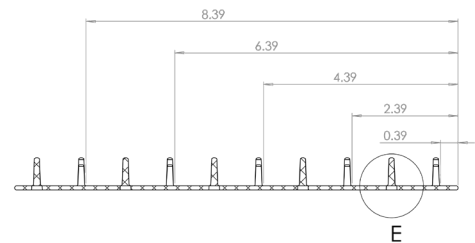
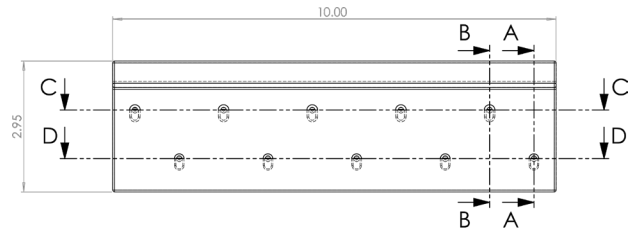


PART #	DESCRIPTION	Carton Weight	Carton L x W x H	QTY
HSCSNIK	Crystal Series, NikNak	6 lbs.	12" x 12" x 14"	6

Crystal Series

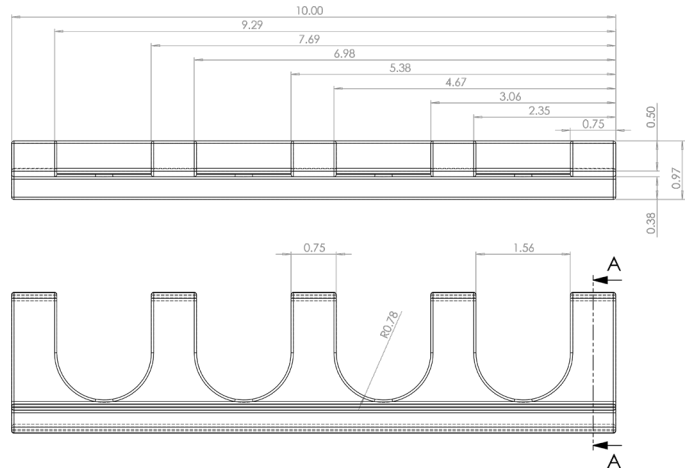


PART #	DESCRIPTION	Carton Weight	Carton L x W x H	QTY
HSCBRH	Crystal Series, Bracelet Holder	4 lbs.	11" x 7" x 9"	6

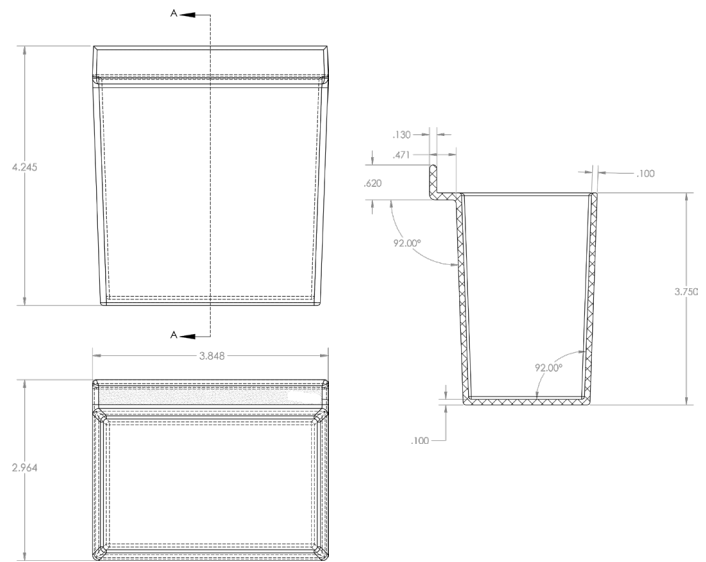


PART #	DESCRIPTION	Carton Weight	Carton L x W x H	QTY
HSCSNH	Crystal Series, Necklace Holder	3 lbs.	11" x 7" x 9"	6

Crystal Series

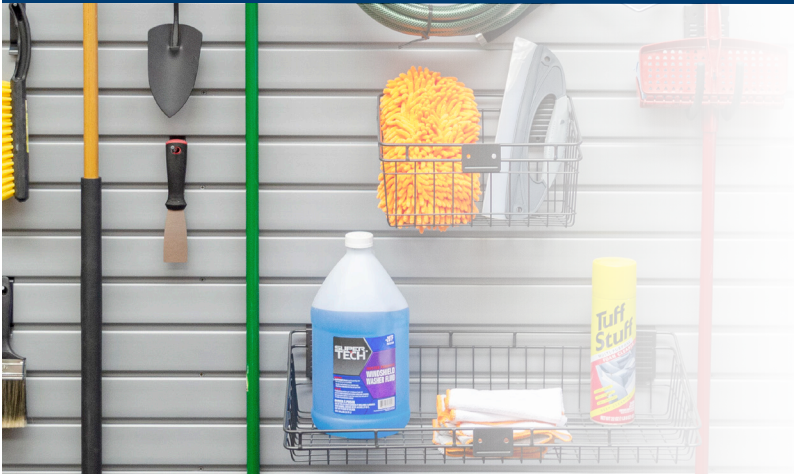


PART #	DESCRIPTION	Carton Weight	Carton L x W x H	QTY
HSCSTBH	Crystal Series, Tie/Belt Holder	3 lbs.	11" x 7" x 9"	6



PART #	DESCRIPTION	Carton Weight	Carton L x W x H	QTY
HSCSPC	Crystal Series, Pencil Cup	4 lbs.	9" x 9" x 6"	6

HandiKits



Starter Kits

Starter Kits are the perfect introduction to our line of products. Starter Kits are made up of our most versatile and highest selling accessories. They are designed to offer all the advantages of an organized space by providing everything you will need in order to store a wide variety of belongings.

4' Starter Kit

PART #	DESCRIPTION	Starter Kit Details
HS-BWK1004WL	4' Starter Kit, White	HSWX004, 4' HandiWALL®, Qty 8, 1 Carton @ 38 lbs. Measuring 49" x 13" x 6"
HS-BWK2004WL	4' Starter Kit, Taupe	HSTX008J, Large J Molding, Qty 4, 1 Carton @ 5 lbs. Measuring 100" x 3" x 3"
HS-BWK3004WL	4' Starter Kit, Gray	HSBAK, Basic Accessory Kit, 21 Pcs., 1 Carton @ 22 lbs. Measuring 25½" x 16" x 12½"
HS-BWK13004WL	4' Starter Kit, Graphite	HSWSX00TBK, 1½" Drywall Screws, 100 Qty, 1 Carton @ 1 lbs. Measuring 9" x 7" x 8"
HS-BWK14004WL	4' Starter Kit, Beachwood	
HS-BWK17004WL	4' Starter Kit, Driftwood Slate	

8' Starter Kit

PART #	DESCRIPTION	Starter Kit Details
HS-BWK1008WL	8' Starter Kit, White	HSWX008, 8' HandiWALL®, Qty 4, 1 Carton @ 38 lbs. Measuring 49" x 13" x 6"
HS-BWK2008WL	8' Starter Kit, Taupe	HSTX008J, Large J Molding, Qty 4, 1 Carton @ 5 lbs. Measuring 100" x 3" x 3"
HS-BWK3008WL	8' Starter Kit, Gray	HSBAK, Basic Accessory Kit, 21 Pcs., 1 Carton @ 22 lbs. Measuring 25½" x 16" x 12½"
HS-BWK13008WL	8' Starter Kit, Graphite	HSWSX00TBK, 1½" Drywall Screws, 100 Qty, 1 Carton @ 1 lbs. Measuring 9" x 7" x 8"
HS-BWK14008WL	8' Starter Kit, Beachwood	
HS-BWK17008WL	8' Starter Kit, Driftwood Slate	

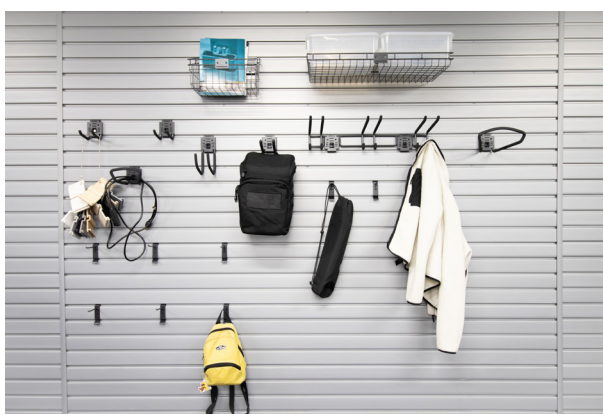


Accessory Kits

Unsure what to compliment your HandiWALL® with? These easy order kits are designed to help you create a more defined storage space.

You can add extra accessories to all the kits separately.

Snap Hooks are included!



- 1 HSH03SBWL 24" Tool Bar
- 2 HSH04DBWL 4" Double Hook
- 1 HSH08DBWL 8" Double Hook
- 1 HSH04LBWL 4" Loop Hook
- 1 HSH06JBWL 6" J Hook
- 1 HSH08LBWL 8" Loop Hook
- 1 HSB0812B 8" x 12" Basket
- 1 HSB1224B 12" x 24" Basket
- 3 HSH01SH 1" Snap Hook
- 6 HSH04SH 4" Snap Hook

PART #	DESCRIPTION	Carton Weight	Carton L x W x H	QTY
HSBAKWL	Basic Accessory Kit 18 pcs.	20 lbs.	25½" x 16" x 12½"	1



- 1 HSS1424B 14" x 24" Shelf
- 1 HSH03SBWL 24" Tool Bar
- 1 HSH04LBWL 4" Loop Hook
- 2 HSH08LBWL 8" Loop Hook
- 3 HSH04DBWL 4" Double Hook
- 2 HSH08DBWL 8" Double Hook
- 1 HSH06JBWL 6" J Hook
- 1 HSB0812B 8" x 12" Basket
- 1 HSB1218B 12" x 18" Basket
- 1 HSB1224B 12" x 24" Basket
- 1 HSS2414G Shoe Rack
- 3 HSH01SH 1" Snap Hook
- 6 HSH04SH 4" Snap Hook
- 3 HSH06SH 6" Snap Hook
- 3 HSH08SH 8" Snap Hook

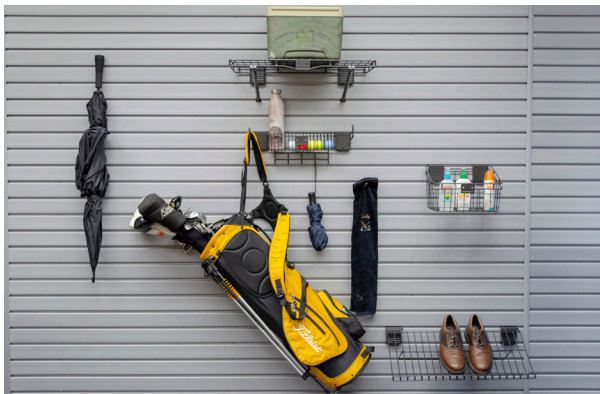
PART #	DESCRIPTION	Carton Weight	Carton L x W x H	QTY
HSIAKWL	Intermediate Accessory Kit 30 pcs.	35½ lbs.	25" x 16" x 12½"	1

HandiKITS™



1 HSS1448B	14" x 48" Shelf	2 HSB0812B	8" x 12" Basket
1 HSS1424B	14" x 24" Shelf	1 HSB1218B	12" x 18" Basket
2 HSH03SBWL	24" Tool Bar	1 HSB1224B	12" x 24" Basket
4 HSH04DBWL	4" Double Hook	2 HSS2414G	Shoe Rack
2 HSH06JBWL	6" J Hook	6 HSH01SH	1" Snap Hook
1 HSH04LBWL	4" Loop Hook	6 HSH04SH	4" Snap Hook
2 HSH08LBWL	8" Loop Hook	6 HSH06SH	6" Snap Hook
3 HSH08DBWL	8" Double Hook	3 HSH08SH	8" Snap Hook

PART #	DESCRIPTION	Carton Weight	Carton L x W x H	QTY
HSDAKWL	Deluxe Accessory Kit 43 pcs.	70 lbs.	15" x 23" x 50"	1



1 HSS1424B	14" x 24" Shelf
1 HSGAHB	Golf Accessory Holder
1 HSH04DBWL	4" Double Hook
1 HSB0812B	8" x 12" Basket
1 HSS2414G	Shoe Rack
1 HSH04SH	4" Snap Hook

PART #	DESCRIPTION	Carton Weight	Carton L x W x H	QTY
HSGAK	Golf Accessory Kit 6 pcs.	16½ lbs.	19" x 11" x 25"	1



1 HSGCNL	Garden Center
1 HSH03SBWL	24" Tool Bar
2 HSH06JBWL	6" J Hook
1 HSDUHBWL	Double Utility Hook
1 HSH04DBWL	4" Double Hook
2 HSSHKB	S Hook
2 HSS1424B	14" x 24" Shelf
1 HSB1218B	12" x 18" Basket
1 HSH08LBWL	8" Loop Hook
1 HSH08DBWL	8" Double Hook

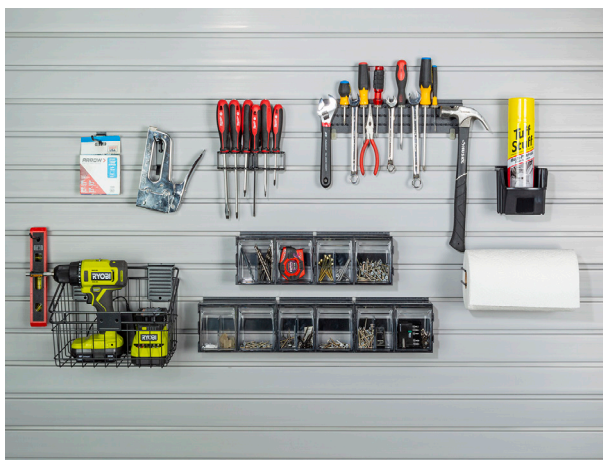
PART #	DESCRIPTION	Carton Weight	Carton L x W x H	QTY
HSGCKWL	Garden Center Kit 13 pcs.	34 lbs.	25" x 15¼" x 10¾"	1

HandiKITS™



- 1 HSH06JBWL 6" J Hook
- 1 HSH04DBWL 4" Double Hook
- 3 HSH08DBWL 8" Double Hook
- 1 HSTAH Tennis Accessory Holder
- 1 HSLSB3426B Handi Mesh Large Storage Basket
- 1 HSHBRNL Horizontal Bike Rack
- 1 HSB0812B 8" x 12" Basket

PART #	DESCRIPTION	Carton Weight	Carton L x W x H	QTY
HSSPKWL	Sports Accessory Kit 9 pcs.	Box 1, 16 lbs. Box 2, 13½ lbs.	Box 1, 19" x 19" x 19" Box 2, 35" x 12" x 6"	1



- 5 HSTB02X Handi Link Up Tilt Bin
- 1 HSMTP15X00 15" Handi Magnetic ToolPAD
- 1 HSSDHB Screwdriver Rack
- 1 HSB0812B 8" x 12" Basket
- 3 HSH04SH 4" Snap Hook
- 1 HSMPRH Multi Purpose Roll Holder
- 1 HSPUBX Plastic Utility Bin

PART #	DESCRIPTION	Carton Weight	Carton L x W x H	QTY
HSWBK-G	Work Bench Accessory Kit 13 pcs., Gray	12 lbs.	14" x 9½" x 24½"	1
HSWBK-B	Work Bench Accessory Kit 13 pcs., Black	12 lbs.	14" x 9½" x 24½"	1
HSWBK-GR	Work Bench Accessory Kit 13 pcs., Graphite	12 lbs.	14" x 9½" x 24½"	1
HSWBK-BW	Work Bench Accessory Kit 13 pcs., Beachwood	12 lbs.	14" x 9½" x 24½"	1

The new Work Bench Accessory kit will have color-matched accessories of the Handi Link Up Tilt Bins, Handi Magnetic ToolPAD, and Plastic Utility Bin.



Framed HandiWALL® Kits

Framed HandiWALL® Kits are a great addition to any space that needs a more centralized storage area. Miter cut trim, color-coded screws, and color-coded color strips (to completely hide the screws) are included to complete the framed look of the kit.

We want to make it as easy as possible for you to plan out your organization needs and be able to order all-in-one to save you time and space. Our kits have it all!

4x2 Framed HandiWALL® Kit

PART #	DESCRIPTION
HSHWK14X2	4x2 Framed HandiWALL® Kit, White
HSHWK24X2	4x2 Framed HandiWALL® Kit, Taupe
HSHWK34X2	4x2 Framed HandiWALL® Kit, Gray
HSHWK44X2	4x2 Framed HandiWALL® Kit, Black
HSHWK134X2	4x2 Framed HandiWALL® Kit, Graphite
HSHWK144X2	4x2 Framed HandiWALL® Kit, Beachwood
HSHWK174X2	4x2 Framed HandiWALL® Kit, Driftwood Slate

1 Carton @ 13 lbs. 49" x 12" x 6"	
2 pcs.	48" HandiWALL® Panels
4 pcs.	Miter cut Large J Trims
50 pcs.	Color-coded Screws
7 pcs.	Color Strips

4x4 Framed HandiWALL® Kit

PART #	DESCRIPTION
HSHWK14X4	4x4 Framed HandiWALL® Kit, White
HSHWK24X4	4x4 Framed HandiWALL® Kit, Taupe
HSHWK34X4	4x4 Framed HandiWALL® Kit, Gray
HSHWK44X4	4x4 Framed HandiWALL® Kit, Black
HSHWK134X4	4x4 Framed HandiWALL® Kit, Graphite
HSHWK144X4	4x4 Framed HandiWALL® Kit, Beachwood
HSHWK174X4	4x4 Framed HandiWALL® Kit, Driftwood Slate

1 Carton @ 23 lbs. 49" x 12" x 6"	
4 pcs.	48" HandiWALL® Panels
4 pcs.	Miter cut Large J Trims
75 pcs.	Color-coded Screws
15 pcs.	Color Strips

5x80" Framed HandiWALL® Kit

PART #	DESCRIPTION
HSHWK15X80	5x80" Framed HandiWALL® Kit, White
HSHWK25X80	5x80" Framed HandiWALL® Kit, Taupe
HSHWK35X80	5x80" Framed HandiWALL® Kit, Gray
HSHWK45X80	5x80" Framed HandiWALL® Kit, Black
HSHWK135X80	5x80" Framed HandiWALL® Kit, Graphite
HSHWK145X80	5x80" Framed HandiWALL® Kit, Beachwood
HSHWK175X80	5x80" Framed HandiWALL® Kit, Driftwood Slate

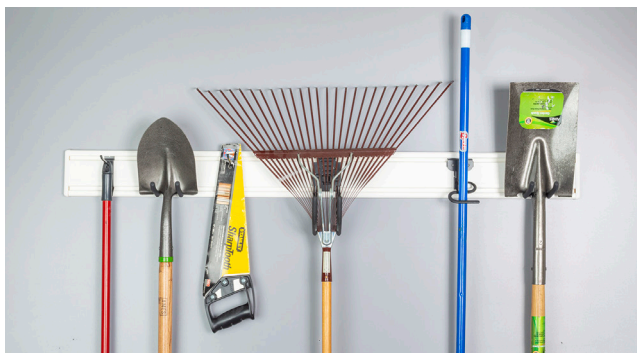
1 Carton @ 23 lbs. 83" x 14" x 5"	
5 pcs.	80" HandiWALL® Panels
4 pcs.	Miter cut Large J Trims
100 pcs.	Color-coded Screws
18 pcs.	Color Strips

Handi Tool Rail Kits

Handi Tool Rail Kits

Handi Tool Rail Kits come with a curated selection of accessories, a Tool Rail, End Caps, color-matched Color Strips and Drywall Screws. These kits are perfect for areas that just need a small area of storage. Everything comes complete for installation and it's very quick and convenient to use, handle, and install.

Ships in two cartons - one Tool Rail and one for the accessories.



- 2 HSH04DBWL 4" Double Hook
- 1 HSH06JBWL 6" J Hook
- 1 HSSHKBNL S Hook
- 2 HSH04SH 4" Snap Hook
- 1 HSWTRX50 50" Tool Rail
- 2 HSWTRECX Tool Rail End Cap
- 2 HSCSTX008 49" Color Strip
- 8 HSWSX00X Drywall Screw 1 5/8"

PART #	DESCRIPTION	Carton Weight	Carton L x W x H	QTY
HSWTR150BHK	Handi Tool Rail Basic Hook Kit, 50", White	Box 1, 3 lbs. Box 2, 4 lbs.	Box 1, 52" x 5" x 2" Box 2, 9" x 7" x 4"	1
HSWTR350BHK	Handi Tool Rail Basic Hook Kit, 50", Gray			
HSWTR450BHK	Handi Tool Rail Basic Hook Kit, 50", Black			
HSWTR1450BHK	Handi Tool Rail Basic Hook Kit, 50", Beachwood			



- 2 HSB0812B 8" x 12" Basket
- 1 HSB1218B 12" x 18" Basket
- 1 HSWTRX50 50" Tool Rail
- 2 HSWTRECX Tool Rail End Cap
- 2 HSCSTX008 49" Color Strip
- 8 HSWSX00X Drywall Screw 1 5/8"

PART #	DESCRIPTION	Carton Weight	Carton L x W x H	QTY
HSWTR150SBK	Handi Tool Rail Standard Basket Kit, 50", White	Box 1, 3 lbs. Box 2, 10 lbs.	Box 1, 52" x 5" x 2" Box 2, 26" x 10" x 12"	1
HSWTR350SBK	Handi Tool Rail Standard Basket Kit, 50", Gray			
HSWTR450SBK	Handi Tool Rail Standard Basket Kit, 50", Black			
HSWTR1450SBK	Handi Tool Rail Standard Basket Kit, 50", Beachwood			

Handi Tool Rail Kits



- 4 HSHGH Garment Hook
- 2 HSH04SH 4" Snap Hook
- 1 HSWTRX50 50" Tool Rail
- 2 HSWTRECX Tool Rail End Cap
- 2 HSCSTX008 49" Color Strip
- 8 HSWSX00X Drywall Screw 1 5/8"

PART #	DESCRIPTION	Carton Weight	Carton L x W x H	QTY
HSWTR150GHK	Handi Tool Rail Garment Hook Kit, 50", White	Box 1, 3 lbs. Box 2, 2 lbs.	Box 1, 52" x 5" x 2" Box 2, 5" x 5" x 5"	1
HSWTR350GHK	Handi Tool Rail Garment Hook Kit, 50", Gray			
HSWTR450GHK	Handi Tool Rail Garment Hook Kit, 50", Black			
HSWTR1450GHK	Handi Tool Rail Garment Hook Kit, 50", Beachwood			



- 2 HSMTP15400 Black 15" Magnetic ToolPAD
- 2 HSTB024 Black Handi Link Up Tilt Bin
- 1 HSWTR450 Black 50" Tool Rail
- 2 HSWTREC4 Black Tool Rail End Cap
- 2 HSCST4008 Black 49" Color Strip
- 8 HSWS400B Black Drywall Screw 1 5/8"

PART #	DESCRIPTION	Carton Weight	Carton L x W x H	QTY
HSWTR450WBK	Handi Tool Rail Work Bench Kit, 50", Black	Box 1, 3 lbs. Box 2, 6 lbs.	Box 1, 52" x 5" x 2" Box 2, 61" x 18" x 9"	1

Handi Tool Rail Kits



- 3 HSHGH Garment Hook
- 2 HSH04SH 4" Snap Hook
- 1 HSH08DBWL 8" Double Hook
- 1 HSB0812B 8" x 12" Basket
- 1 HSWTRX50 50" Tool Rail
- 2 HSWTRECX Tool Rail End Cap
- 2 HSCSTX008 49" Color Strip
- 8 HSWSX00X Drywall Screw 1 5/8"

PART #	DESCRIPTION	Carton Weight	Carton L x W x H	QTY
HSWTR150PBCK	Handi Tool Rail Pickleball Center Kit, 50", White	Box 1, 3 lbs. Box 2, 2 lbs.	Box 1, 52" x 5" x 2" Box 2, 5" x 5" x 5"	1
HSWTR350PBCK	Handi Tool Rail Pickleball Center Kit, 50", Gray			
HSWTR450PBCK	Handi Tool Rail Pickleball Center Kit, 50", Black			
HSWTR1450PBCK	Handi Tool Rail Pickleball Center Kit, 50", Beachwood			



- 1 HSB0312B 3" x 12" Basket
- 1 HSB0812B 8" x 12" Basket
- 1 HSB1218B 12" x 18" Basket
- 1 HSH04DBWL 4" Double Hook
- 1 HSH06JBWL 6" J Hook
- 1 HSH08LBWL 8" Loop Hook
- 1 HSH08DBWL 8" Double Hook
- 2 HSH04SH 4" Snap Hook
- 1 HSWTRX82 82" Tool Rail
- 2 HSWTRECX Tool Rail End Cap
- 2 HSCSTX008 81" Color Strip
- 12 HSWSX00X Drywall Screw 1 5/8"

PART #	DESCRIPTION	Carton Weight	Carton L x W x H	QTY
HSWTR182DSK	Handi Tool Rail Deluxe Storage Kit, 82", White	Box 1, 5 lbs. Box 2, 13 lbs.	Box 1, 85" x 5" x 2" Box 2, 19" x 13" x 10"	1
HSWTR382DSK	Handi Tool Rail Deluxe Storage Kit, 82", Gray			
HSWTR482DSK	Handi Tool Rail Deluxe Storage Kit, 82", Black			
HSWTR1482DSK	Handi Tool Rail Deluxe Storage Kit, 82", Beachwood			

Ordering Information

Dealer Program:

- Pricing for HandiWALL® is *per carton*. All other products are individually priced *per piece*.
- All products are sold in full cartons.
- Opening order minimum is \$1,000.00. Subsequent orders minimum is \$500.00.
- Freight is F.O.B. Bensenville, IL.

Distributor Program:

- This program is restricted to companies that sell HandiSOLUTIONS® to Dealers, and do not install.
- Pricing for HandiWALL® is *per carton*. All other products are individually priced *per piece*.
- All products are sold in full cartons.
- Minimum order amount is \$5,000.00.
- Freight is F.O.B. Bensenville, IL.

Orders:

- All orders must include HandiSOLUTIONS® part numbers, price, and a purchase order number.
- For ease of use, it is recommended to use our HS Purchase Order Form.

Lead Time:

- Product normally ships within 3-5 business days upon receipt of approved purchase order.
- If any items are to be backordered, customers will be notified immediately for appropriate disposition.

Payment Terms:

- The payment terms are net 30 days with an approved account, or by credit card.

Product Specifications:

- Product availability or pricing are subject to change without notice.

Contact us by phone:

- Direct line: 847-640-4732
- Fax Line: 847-572-0675

Contact us by email:

- sales@handisolutions.com
- info@handisolutions.com

Location:

320 County Line Road
Bensenville, IL 60106

Website:

www.handisolutions.com

Restocking Fee:

There is a 15% restocking fee for returned orders.



HandiWALL® Warranty

HandiWALL® Slatwall Panel Lifetime Limited Warranty

This document outlines the HandiSOLUTIONS® warranty for all new HandiWALL® slatwall panels purchased in North America. This Lifetime Limited Warranty is valid only for the initial retail purchaser of the HandiWALL® slatwall panels.

Lifetime Limited Warranty

HandiSOLUTIONS® guarantees its HandiWALL® slatwall panels against defects in construction or material for the duration of a limited lifetime. If a HandiWALL® panel is found to be defective, HandiSOLUTIONS® will replace it under the following conditions:

- (A) *Installation was completed according to the corresponding instructions.*
- (B) *Maintained according to the corresponding instructions.*
- (C) *Installation complied with all applicable local building codes.*

Any replacement panels will assume the remaining warranty period from the original purchase date. Replacement of a defective HandiWALL® product is the sole and exclusive remedy under this Lifetime Limited Warranty.

Lifetime Limited Warranty Exclusions

The following are not covered by the HandiSOLUTIONS® Lifetime Limited Warranty:

- Damage resulting from improper installation, misuse, or abuse of HandiWALL®.
- Damage caused by fire or accidents.
- Damage from accessories not made by HandiSOLUTIONS®, including but not limited to hooks, baskets, and shelving.
- Damage resulting from overloading accessories beyond the specified maximum weight capacity (100 lbs per square foot).
- Costs associated with installation labor.
- Costs for accessory materials.
- Return shipping costs for defective HandiWALL® panels.

Warranty Limitations

The above Lifetime Limited Warranty is the exclusive warranty for HandiWALL® panels. HandiSOLUTIONS® disclaims all other warranties, express or implied, including implied warranties of merchantability and fitness for a particular purpose. If consumer law in your area prohibits this disclaimer, the Lifetime Limited Warranty will not extend the duration of any implied warranties.

Obtaining Lifetime Limited Warranty Service

For warranty service, please contact us.

HandiSOLUTIONS® Liability Disclaimer

HandiSOLUTIONS® and its successors, distributors, and dealers (hereafter referred to as the SELLER) are not responsible for the proper use, installation, or service of the HandiWALL® product. The SELLER assumes no liability for improper installation or misuse of HandiWALL® products. The buyer waives all liability claims against the SELLER. The installer is responsible for understanding and following the installation procedures for HandiWALL® products. Any uncertainties should be addressed with the manufacturer. Since assembly instructions cannot cover every possible scenario, the installer must ensure proper installation. It is also the purchaser's and installer's responsibility to ensure compliance with local building codes. Professional review by a licensed engineer, architect, or building official is recommended before installation. The SELLER is not liable for injuries or damages caused by incorrect use or installation. The buyer acknowledges and agrees to indemnify the SELLER against any claims related to HandiWALL® products. The SELLER shall not be liable for any damages or expenses arising from the use or sale of HandiWALL® products.

Consequential Damages

The SELLER is not liable for any special, indirect, incidental, or consequential damages resulting from the use of the product.

Severability

If any provision of this Lifetime Limited Warranty is deemed invalid, illegal, or unenforceable, the remaining provisions will remain in effect.

HandiSOLUTIONS®

HandiLUXE

HandiLUXE is our latest in-progress premium PVC slatwall creation that redefines modern living. Stronger, sleeker, and more stylish than ever, HandiLUXE is designed with wider slats and a refined finish for unmatched versatility. Create a statement living room, a refined mudroom, and so much more.

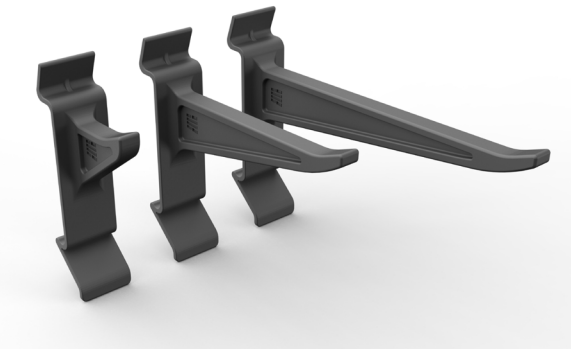


- Strong
- Functional
- Luxe



New Hooks

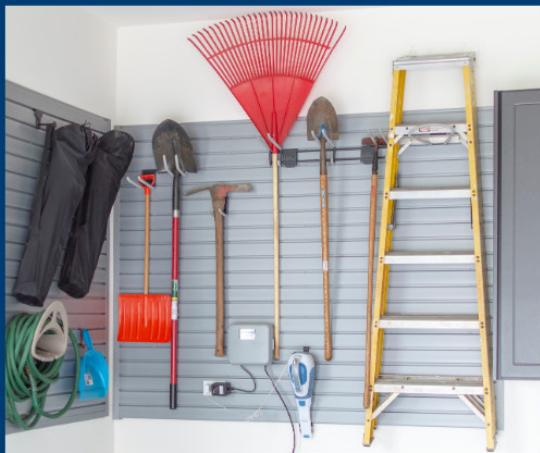
Strength. Style. Value. Lightweight yet robust, these new glass-filled nylon accessories are a compelling alternative to our traditional steel hooks. These innovative hooks seamlessly integrate into most 3-inch on-center slatwalls, such as HandiWALL®. They offer an exceptional load-bearing capacity with a refined aesthetic at a competitive price.
Coming soon!





Made In The USA. *Built To Last.*

Inside you'll find our original HandiWALL[®] slatwall, versatile accessories, kits, and a peek at soon-to-come products!



Never Miss A Beat!

Follow us on socials and be the first to know about latest releases, upcoming events, and more!

   @handisolutions

 @handisolutionsofficial